

2/2-way Solenoid Valve with servo diaphragm



Type 5281 can be combined with...



Type 2508
Cable plug








Type 1078
Timer unit



Type 2511
ASI cable plug



Type 8600
Dosing control

- Universal version up to 232 psi (16 bar)
- NBR, EPDM or FPM Servo diaphragms
- Waterhammer-free, low noise
- NC circuit function
- Brass and stainless steel body
- Threaded port or flange connections
- Approvals:     

Servo-assisted solenoid valve with servo diaphragm for the control of liquid or gaseous media. A pressure difference of 2.8 psi (0.5 bar) is required for a complete switchover.

Power consumption

Inrush	Hold	
AC [VA]	AC [VA/W]	DC [W]
24	14/8	8

Technical data

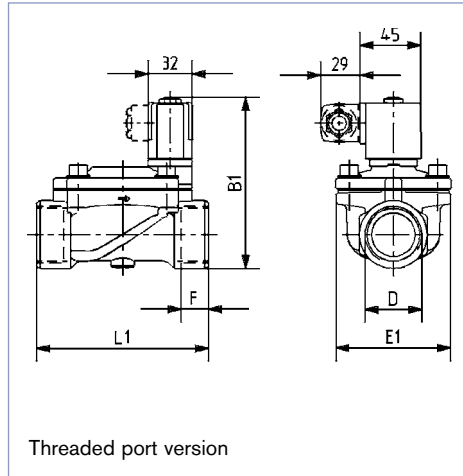
Orifice	1/2" - 2" (DN 13 - 50 mm)
Body material	
Threaded port	Brass
Flange	Grey cast iron
Inner part valve	Stainless steel, brass
Seal material	NBR, EPDM, FPM
Media	
NBR	Neutral media, such as compressed air, water
EPDM	Oil and fat-free media
FPM	Hot air, oxygen, per-solutions
Media temperature	
NBR	+14 to +176 °F (-10 to +80 °C)
EPDM	-40 to +248 °F (-40 to +120 °C)
FPM	+14 to +248 °F (-10 to +120 °C)
Ambient temperature	Max. +131 °F (+55 °C)
Voltage tolerance	±10 %
Duty cycle	Continuous operation 100% ED
Electrical connection	Tag connector acc. to DIN 43650 Form A for cable plugs Type 2508 (see Accessories)
Protection class	IP 65 with cable plug
Installation	As required, preferably with actuator upright

Solenoid valve dimensions

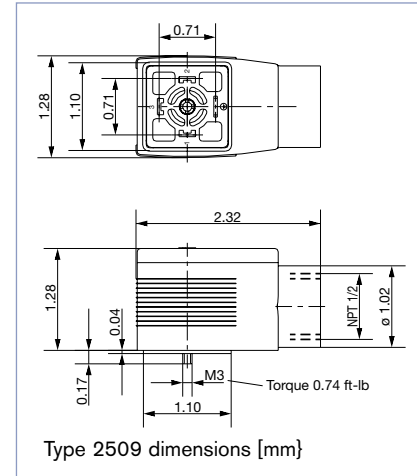
Dimensions [mm]

Threaded port						
DN	D	B1	B1*	E1	F	L1
13	NPT 1/2	100,0	120,0	40	14	65
20	NPT 3/4	107,5	127,5	60	16	100
25	NPT 1	116,0	136,0	70	18	115
32	NPT 1 1/4	126,5	146,5	85	20	126
40	NPT 1 1/2	135,5	155,5	85	22	126
50	NPT 2	157,2	177,2	115	24	164

B1* Version with manual override, available on request



Threaded port version



Type 2509 dimensions [mm]

Ordering chart for valves (other versions on request)

Circuit function A (Type 5281, normally closed), brass body, supplied without cable plug

Circuit function	Orifice [mm]	Port connection	Cv value water [GPM]	Pressure range [psi]	Voltage/frequency [V/Hz]	Item no. UL listed w/type 2509 1/2 conduit connection	Item no. UL recognized w/type 2508 DIN cable plug
A 2/2-way valve NC 	13	NPT 1/2	4.7	2.8 - 230	024/VDC	457 395	456 864
					024/60	457 396	456 865
					120/60	457 397	456 866
					240/60	457 398	456 867
	20	NPT 3/4	5.8	2.8 - 230	024/VDC	457 399	456 868
					024/60	457 400	456 869
					120/60	457 401	456 870
					240/60	457 402	456 871
	25	NPT 1	11.7	2.8 - 230	024/VDC	457 403	456 872
					024/60	457 404	456 873
					120/60	457 405	456 874
					240/60	457 406	456 875
	32	NPT 1 1/4	23.5	2.8 - 230	024/VDC	457 407	456 876
					024/60	457 408	456 877
					120/60	457 409	456 878
					240/60	457 410	456 879
	40	NPT 1 1/2	23.5	2.8 - 230	024/VDC	457 411	456 880
					024/60	457 412	456 881
					120/60	457 413	456 882
					240/60	457 414	456 883
50	NPT 2	47.1	2.8 - 230	024/VDC	457 415	456 884	
				024/60	457 416	456 885	
				120/60	457 417	456 886	
				240/60	457 418	456 887	

Note: Versions with manual override available on request. FPM and EPDM seals are also available on request.