

Y-Pattern and Diaphragm Valves



Advantages/Benefits

- ▶ Complete and modularly designed accessory program
- ▶ More for less: Configuration costs are only for what is required
- ▶ Easy maintenance and commissioning
- ▶ Increase system and operational safety

Design

The modular designed accessory option package is a comprehensive addition to the Burkert Y-pattern and diaphragm valve Types 2000, 2002, 2012, 2030, 2031, 2632, and 2712.

The flexible, easy-to-use concept of modular accessories has been designed to cover individual application requirements in a cost-effective way.

The design has been optimized for easy installation, retrofitting, commissioning, and operation.

- Flexible and versatile modular accessory program
- Easy to retrofit
- Increase operational safety

Applications

- Electrical feedback:
- Mechanical or inductive switches
  - Externally mounted magnetic/ inductive switches

Electrical feedback with optical position indication

Max. stroke limitation

Min./max. stroke limitation

Manual override

Namur-adaptor for pilot valves

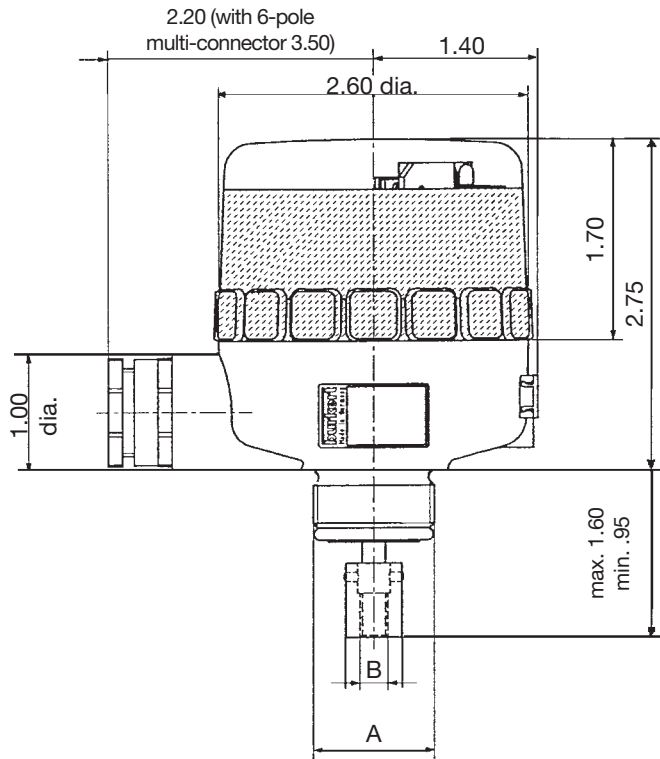
**Burkert Contromatic USA**  
2602 McGaw Avenue  
Irvine, CA 92614  
Tel. 949.223.3100  
Fax 949.223.3198  
www.burkert-usa.com

**Burkert Contromatic Inc.**  
760 Pacific Road, Unit 3  
Oakville, Ontario, Canada L6L 6M5  
Tel. 905.847.5566  
Fax 905.847.9006  
www.burkert.ca



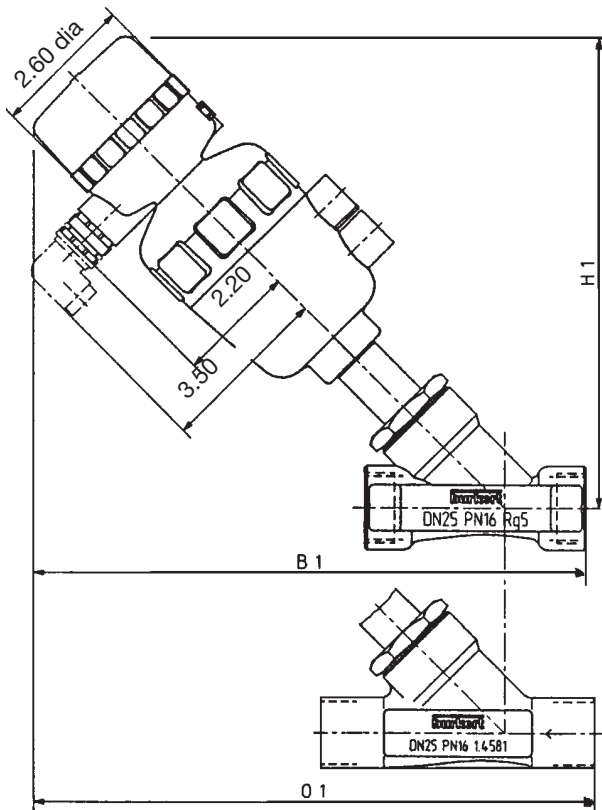


Dimensions [inch]



Actuator Size	A	B
D, E, F	M26x1.5	M6
G, H	M36x2	M1

Dimensions for Type 2000 [inch]

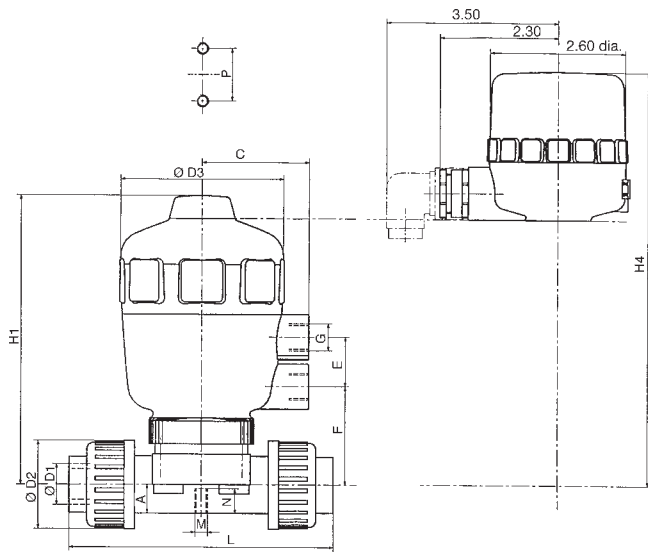


Specifications

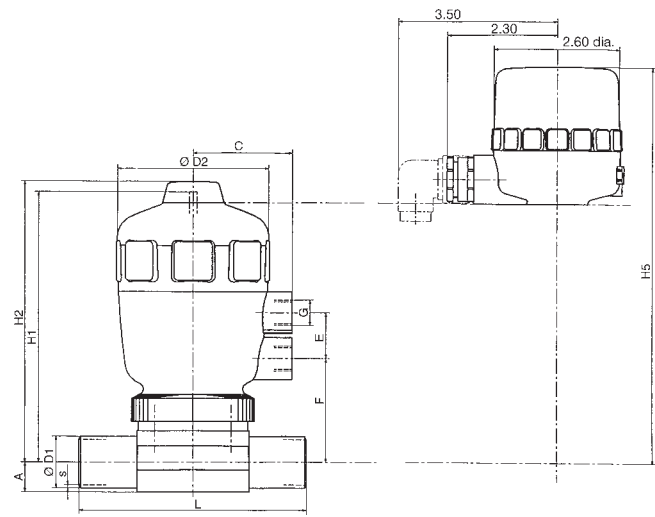
Valve Size [inch]	Actuator Size	B1	H1	O1
1/2	D	8.8	7.4	8.6
3/4	D	9.0	7.7	9.1
1	E	10.4	8.8	10.6
1	F	11.2	9.7	11.4
1 1/4	G	10.9	9.3	11.1
1 1/4	F	12.0	10.3	12.2
1 1/4	E	13.8	12.2	14.0
1 1/2	E	11.1	9.4	11.4
1 1/2	F	11.9	10.4	12.2
1 1/2	G	14.0	12.4	14.3
1 1/2	H	15.1	13.5	15.4
2	E	11.9	10.1	12.0
2	F	12.6	10.9	12.8
2	G	14.8	14.6	15.0
2	H	15.7	14.0	15.9
2 1/2	F	13.7	11.4	?
2 1/2	G	15.7	13.4	?
2 1/2	H	16.8	14.5	?

Dimensions [inch]

**Type 2030**



**Type 2031**



**Specifications Type 2030**

Valve Size [inch]	Actuator Size	H1	H4	D3
1/2	D	4.8	7.2	2.5
1/2	E	5.5	7.8	3.2
3/4	E	5.8	8.1	3.2
3/4	F	6.8	9.1	4.0
1	E	6.2	8.5	3.2
1	F	6.9	9.3	4.0
1 1/4	G	9.1	11.3	5.0
1 1/2	G	9.4	11.6	5.0
1 1/2	H	10.9	13.1	6.0
2	G	9.8	12.0	5.0
2	H	11.2	13.4	6.0

**Specifications Type 2031**

Valve Size	Actuator Size	H2	H5	D2
1/2	D	4.6	7.0	2.50
1/2	E	5.3	7.6	3.15
3/4	E	5.7	8.1	3.15
3/4	F	6.8	9.1	4.00
1	E	6.1	8.4	3.15
1	F	6.9	9.2	4.00
1 1/4	G	9.0	11.2	5.00
1 1/2	G	9.1	11.3	5.00
1 1/2	H	10.7	12.9	6.00
2	G	9.6	11.8	5.00
2	H	10.9	13.1	6.00
2 1/2	H	11.4	13.6	6.00



### Advantages / Benefits

- ▶ Permits the use of stroke adjustment and manual override options
- ▶ Reliable switching function
- ▶ Space-saving design, simple installation
- ▶ LED-display
- ▶ Reverse polarity protection
- ▶ Short circuit-proof
- ▶ Pulsed PNP
- ▶ Protected against inductive spikes

### Design

The magnetic-inductive sensors react to the approach of the magnetic piston of the series 2000-2031 piston-operated Y-pattern diaphragm valve. Thus, the piston position can be optically and electrically displayed with LED display.

- For actuator versions equipped with magnetic piston only.
- Permits the use of additional accessories: stroke limiters or manual override

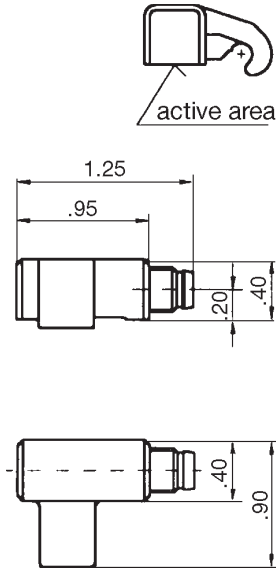
### Technical Data

Nominal field strength $I H_n$	1.2 kA/m
Working field strength $I H_a$	$\geq 2$ kA/m
Hysteresis	$\leq 45\%$ of $H_n$
Ambient temperature	$-4^\circ\text{C}$ to $+158^\circ\text{C}$
Temp.drift of switch-on point	$\leq 0.3\%/^\circ\text{C}$
Operating voltage $U_B$	10 to 30 V DC
Residual ripple	$\leq 15\%$
Max. power rating $I_a$	200 mA
Capacitive load	$\leq 1 \mu\text{F}$
Voltage drop $U_d$	$\leq 2.5$ V
Raise time	$\leq 0.5$ ms
Switch-off time	20 to 50 ms
Power consumption*)	$\leq 12/\leq 10$ mA
Housing material	PBTP (GF-reinforced)
Rating (DIN 40 050)	IP 67
Weight	2 oz.

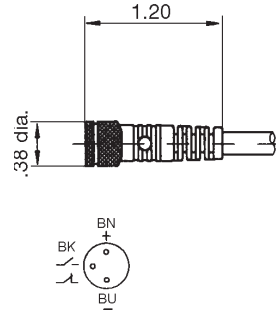
\*)damped/undamped

Consisting of Solenoid Piston, Sensor Fixation, Elbow Joint, Proximity Sensor – Dimensions [inch]

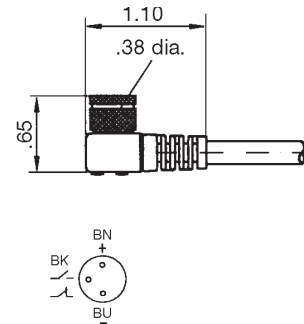
Sensor Type 1071 with plug connector, IP 67



Plug connector, straight, without LED, cable 9.8 feet

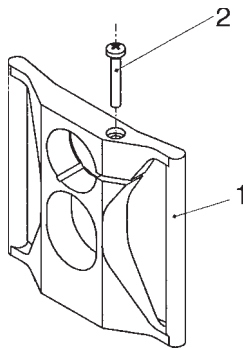


Elbow plug connector, with LED, cable 9.8 feet

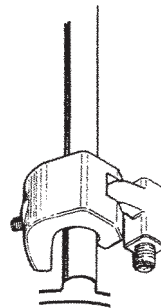


Installation

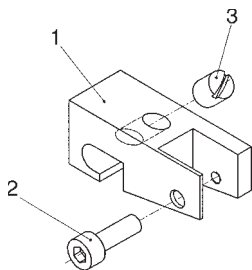
Sensor bracket, consisting of mounting bracket 1 and EJOT-PT-screw 2



Mount sensor to elbow joint and sensor bracket



- Elbow joint:  
 1 elbow joint  
 2 Cheesehead screw DIN 912-M4x12-A2  
 3 Pin DIN 913-M6x10-A2



For ordering specifications of individual parts, please refer to spare parts list.

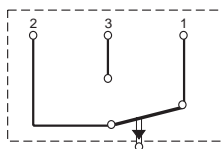


**Advantages / Benefits**

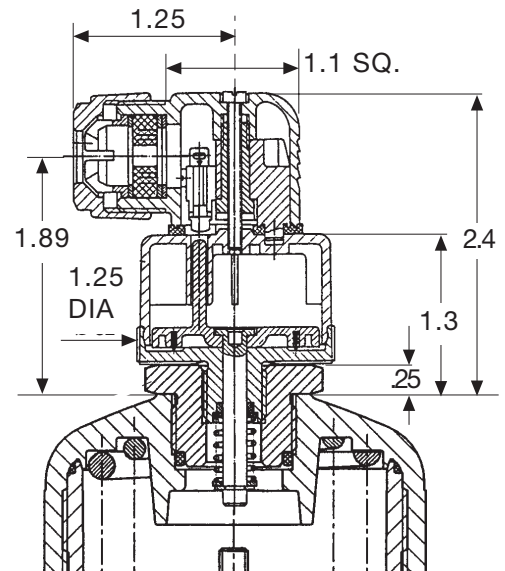
- ▶ For alarm and emergency devices, safety disconnect and sequencing
- ▶ Additional visual position indicator
- ▶ Simple installation
- ▶ Easy to retrofit
- ▶ Easily accessible internal components and terminals
- ▶ Compact NEMA 4 (IP65) enclosure

**Technical Data**

Microswitch	Normally opened or closed
Switching load	250 VDC Non-inductive or induct. load max. 5A, incandescent filament load 0.5A
	250 VDC Non-inductive load 0.25A inductive load 0.02A incandescent filament load 0.02A
Rating	NEMA 4 (IP 65)
Connection	Solder connections, cable entry sealed by gland with cable grip for 1/4-inch cable
Wiring diagram	1 Common terminal 2 Normally closed terminal 3 Normally open terminal



**Dimensions [inch]**



# Max. Stroke Limiter\*

Without Visual Position Indication

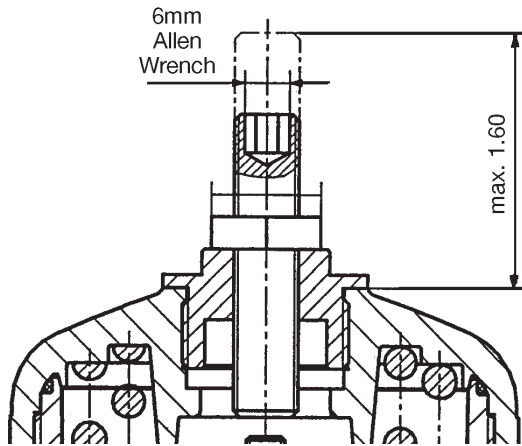


## Advantages / Benefits

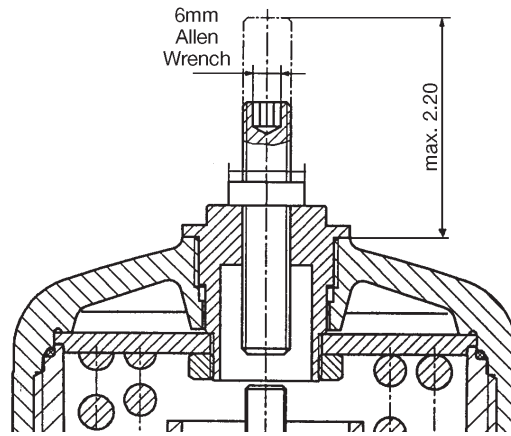
- ▶ Maximum stroke limiter
- ▶ Easy adjustment with Allen wrench
- ▶ Can be combined with external inductive position indication Type 1071

## Dimensions [inch]

Actuator size D, E, F



Actuator size G, H



\* Upper stroke limitation only  
\* Control function A only (normally closed)

# Min./Max. Stroke Limiter

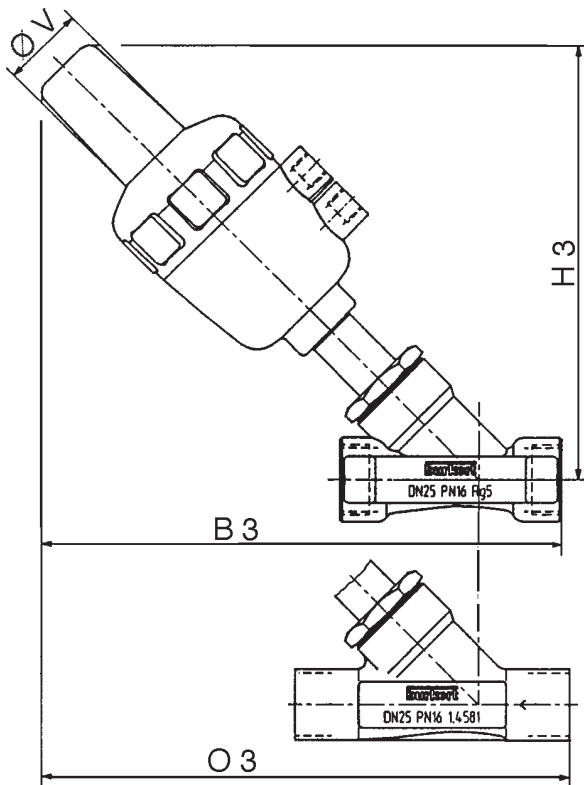
## Without Visual Position Indication



### Advantages / Benefits

- ▶ Maximum and minimum flow setting
- ▶ Integrated, clear visual position indication
- ▶ Easy to retrofit
- ▶ Upper and lower stops adjustable with standard screw driver
- ▶ May be used as manual override
- ▶ Can be combined with external inductive position indicator Type 1071
- ▶ Two versions available; (Actuator size D, E, F and Actuator size G, H)

### Dimensions for Type 2000 [inch]



### Specification

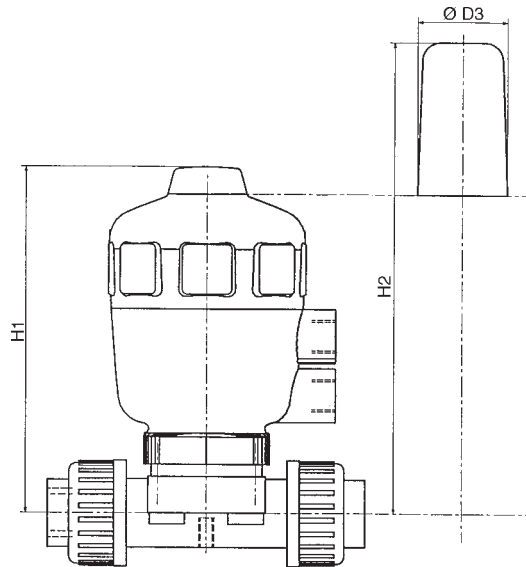
Valve Size	Actuator Size	B3	H3	O3	øV
1/2	D	8.3	6.9	8.3	1.5
3/4	D	8.5	7.2	8.6	1.5
1	E	9.7	8.1	9.9	1.5
1	F	10.3	8.8	10.5	1.5
1 1/4	E	10.2	8.7	10.4	1.5
1 1/4	F	11.1	9.4	11.3	1.5
1 1/4	G	13.6	12.0	13.7	2.1
1 1/2	E	10.4	8.8	10.7	1.5
1 1/2	F	10.9	9.5	11.3	1.5
1 1/2	G	13.7	12.1	14.1	2.1
1 1/2	H	14.6	13.0	14.9	2.1
2	E	11.2	9.4	11.4	1.5
2	F	11.7	10.0	11.9	1.5
2	G	14.6	13.6	14.8	2.1
2	H	15.2	13.5	15.4	2.1
2 1/2	F	12.8	10.5	-	1.5
2 1/2	G	15.4	14.0	-	1.5
2 1/2	H	16.3	14.0	-	2.1

# Min./Max. Stroke Limiter

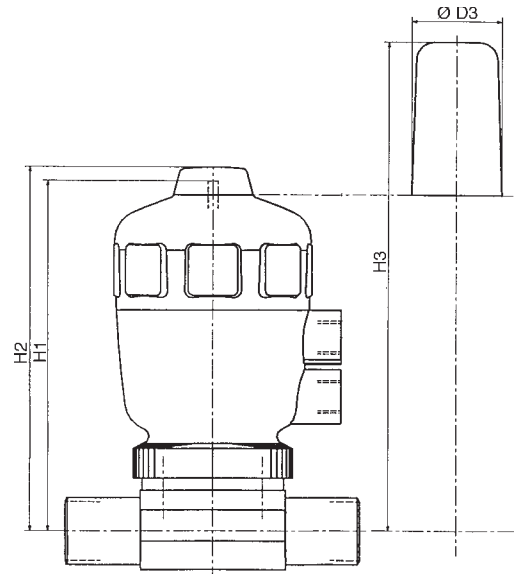
## With Visual Position Indication

Dimensions [inch]

Type 2030



Type 2031



Specifications Type 2030

Valve Size	Actuator Size	H1	H2	D3
1/2	D	4.8	6.8	1.5
1/2	E	5.5	7.4	1.5
3/4	E	5.8	7.8	1.5
3/4	F	6.8	8.8	1.5
1	E	6.2	8.1	1.5
1	F	6.9	8.9	1.5
1 1/4	G	9.1	12.0	2.1
1 1/2	G	9.4	12.3	2.1
1 1/2	H	10.9	13.8	2.1
2	G	9.8	12.7	2.1
2	H	11.2	14.1	2.1

Specifications Type 2031

Valve Size	Actuator Size	H2	H3	D3
1/2	D	4.6	7.0	1.5
1/2	E	5.3	7.6	1.5
3/4	E	5.7	8.1	1.5
3/4	F	6.8	9.1	1.5
1	E	6.1	8.4	1.5
1	F	6.9	9.2	1.5
1 1/4	G	9.0	11.2	2.1
1 1/2	G	9.1	11.3	2.1
1 1/2	H	10.7	12.9	2.1
2	G	9.6	11.8	2.1
2	H	10.9	13.1	2.1
2 1/2	H	11.4	13.6	2.1

# Manual Override

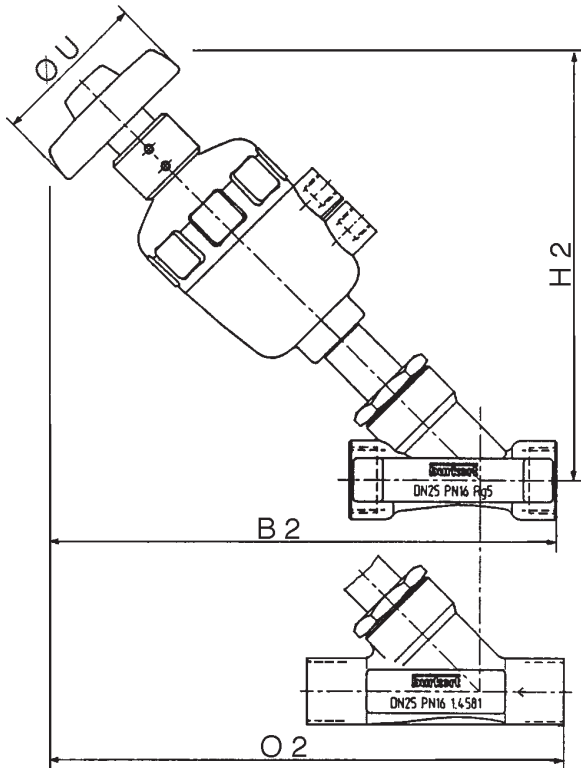
## With Visual Position Indication



### Advantages / Benefits

- ▶ For normally closed valves only
- ▶ Integrated visual position indicator
- ▶ Easy to retrofit
- ▶ May be combined with external inductive position indication Type 1071

### Dimensions for Type 2000 [inch]



### Specifications

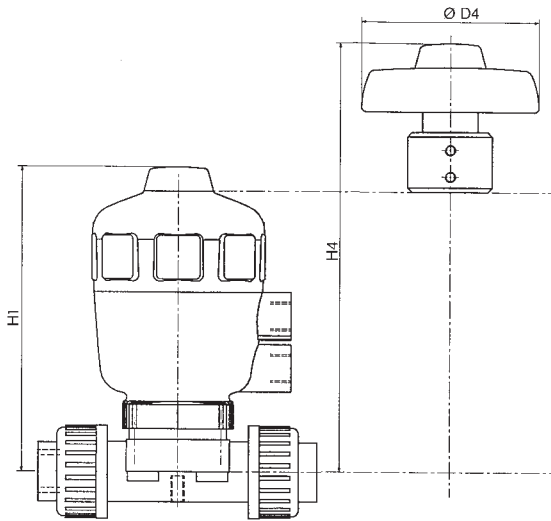
Valve Size	Actuator Size	B2	H2	O2	øU
1/2	D	8.7	7.3	8.7	3.2
3/4	D	8.0	7.6	9.0	3.2
1	E	10.1	8.6	10.2	3.2
1	F	10.8	9.3	10.9	3.2
1 1/4	E	10.7	9.1	10.8	3.2
1 1/4	F	11.6	9.8	11.8	3.2
1 1/4	G	14.3	12.7	14.4	5.9
1 1/2	E	10.8	9.2	11.1	3.2
1 1/2	F	11.4	10.0	11.7	3.2
1 1/2	G	14.4	12.8	14.8	5.9
1 1/2	H	15.3	13.7	15.6	5.9
2	E	11.6	9.8	11.8	3.2
2	F	12.2	10.4	12.4	3.2
2	G	15.3	15.0	15.5	5.9
2	H	15.9	14.2	16.1	5.9
2 1/2	F	13.2	11.0	-	3.2
2 1/2	G	16.1	13.9	-	5.9
2 1/2	H	17.0	14.7	-	5.9

# Manual Override

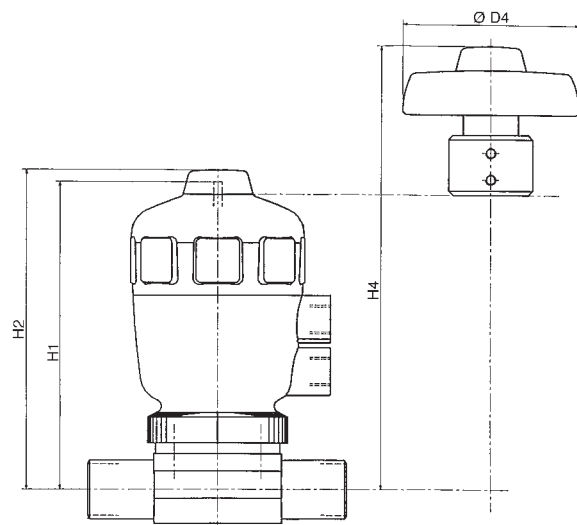
## With Visual Position Indication

Dimensions [inch]

**Type 2030**



**Type 2031**



**Specifications Type 2030**

Valve Size	Actuator Size	H1	H4	D4
1/2	D	4.8	7.2	3.2
1/2	E	5.5	7.8	3.2
3/4	E	5.8	8.1	3.2
3/4	F	6.8	9.1	3.2
1	E	6.2	8.5	3.2
1	F	6.9	9.3	3.2
1 1/4	G	9.1	11.3	5.9
1 1/2	G	9.4	11.6	5.9
1 1/2	H	10.9	13.1	5.9
2	G	9.8	12.0	5.9
2	H	11.2	13.4	5.9

**Specifications Type 2031**

Valve Size	Actuator Size	H2	H4	D4
1/2	D	4.6	6.9	3.2
1/2	E	5.3	7.5	3.2
3/4	E	5.7	8.0	3.2
3/4	F	6.8	9.0	3.2
1	E	6.1	8.3	3.2
1	F	6.9	9.1	3.2
1 1/4	G	9.0	11.8	5.9
1 1/2	G	9.1	11.9	5.9
1 1/2	H	10.7	13.4	5.9
2	G	9.6	12.3	5.9
2	H	10.9	13.7	5.9
2 1/2	H	11.4	14.2	5.9

# Namur-Adapter for Pilot Valves



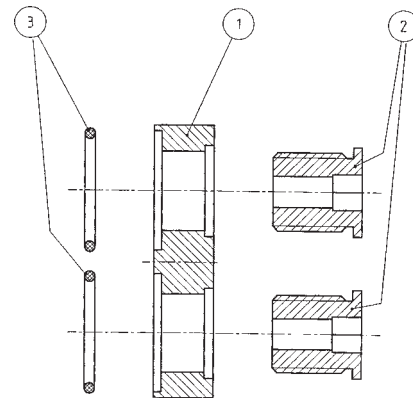
## Advantages / Benefits

- ▶ Namur interface allows easy installation of pilot valve to actuator
- ▶ Increased operational reliability when using the Burkert pilot valves Types 6519 and 5470.

## Technical Data

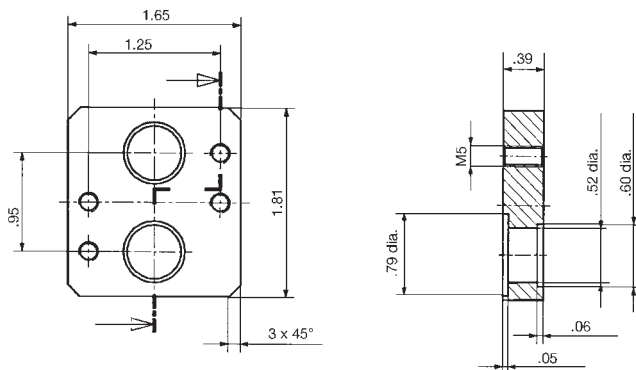
### Materials

- ① Plate and ② hollow screw      Steel 1.4021 or CuZn39 Pb3 F44
- ③ O-rings                              DIN3771  
16x2-N-NBR75

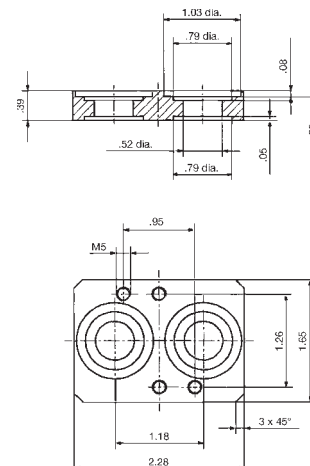


## Dimensions [inch]

### Adapter for actuators: D, E, F



### Adapter for actuators: G, H



Hollow screw with hexagonal socket SW 6

**Combination Options of Accessories**

	Electrical position feedback Type 1062	External magnet inductive position feedback Type 1071	Electrical feedback signaller with optical position indication Type 1060	Max. stroke limitation	Min./max. stroke limitation	Manual override with opt. position indication	Namur-adapter for pilot valves
Electrical position feedback Type 1062		<b>and</b>	<b>or</b>	<b>or</b>	<b>or</b>	<b>or</b>	<b>and</b>
External magnet inductive position feedback Type 1071	<b>and</b>		<b>and</b>	<b>and</b>	<b>and</b>	<b>and</b>	<b>and</b>
Electrical feedback signaller with optical position indication Type 1060	<b>or</b>	<b>and</b>		<b>or</b>	<b>or</b>	<b>or</b>	<b>and</b>
Max. stroke limitation	<b>or</b>	<b>and</b>	<b>or</b>		<b>or</b>	<b>or</b>	<b>and</b>
Min./max. stroke limitation	<b>or</b>	<b>and</b>	<b>or</b>	<b>or</b>		<b>or</b>	<b>and</b>
Manual override with opt. position indication	<b>or</b>	<b>and</b>	<b>or</b>	<b>or</b>	<b>or</b>		<b>and</b>
Namur-adapter for pilot valves	<b>and</b>	<b>and</b>	<b>and</b>	<b>and</b>	<b>and</b>	<b>and</b>	

**Electrical Position Feedback Type 1062 - Ordering Chart**

**With Mechanical Limit Switches**

Actuator Size	Indicated Valve Position	Item No.			
		110V to 250V AC/DC	12V to 48V AC/DC	48V to 110V AC/DC	12V to 30V AC/DC
D, E, F	OPEN	005 415 K	007 462U	420 770 J	420 776 C
	CLOSED	005 409 E	007 461 T	420 771 F	420 777 D
	OPEN/CLOSED	005 416 L	007 463 V	420 772 G	420 778 N
G, H	OPEN	007 459 H	007 465 X	420 773 H	420 779 P
	CLOSED	007 458 G	007 464 W	420 774 A	420 780 D
	OPEN/CLOSED	007 460 E	007 466 Y	420 775 B	420 781 S

**With Inductive Limit Switches:**

Actuator Size	Indicated Valve Position	Item No.			
		10 to 30 VDC 2-wire	10 to 30 VDC 3-wire PNP	10 to 30 VDC 3-wire NPN	NAMUR EExi 8 VDC
D, E, F	OPEN	420 788 H	005 434 N	420 782 T	007 471 V
	CLOSED	420 789 A	005 422 J	420 783 U	007 470 G
	OPEN/CLOSED	420 790 F	005 461 Z	420 784 V	007 472 W
G, H	OPEN	420 791 U	007 468 A	420 785 W	007 474 Y
	CLOSED	420 792 V	007 467 Z	420 786 X	007 473 X
	OPEN/CLOSED	420 793 W	007 469 B	420 787 Y	007 475 Z

Specification Tag	Item No.	633 529 W
-------------------	----------	-----------

**External Magnet Inductive Position Feedback Type 1071 - Ordering Chart**

**Magnetic piston**

Actuator Size	Item No.
D	630063F <sup>1)</sup>
E	630064G
F	630065H
G	630066A
H	630067B

<sup>1)</sup> For Types 2000/2002/2012 only

**Sensor**

Type	Style	Item No.
1071	Plug Connector	780110E
1071	With Cable (No LED)	780111T

**Sensor mounting bracket**

Actuator Size	Item No.
D	636239E <sup>1)</sup>
E-H	636239E

<sup>1)</sup> For Types 2000/2002/2012 only

**Plug Connector**

Style	Item No.
Elbow Plug, Cable 10 ft.	780112U
Straight Plug Connector, No LED	780113V

**Elbow joint**

Material	Item No.
Diecast	780558K
Stainless Steel	636241G

## Ordering Chart - Accessories

**Min./max. stroke limitation with visual position indication**

Actuator Size	Item No.
D	636820Z
E	636820Z
F	636820Z
G	636821N
H	640703Y

**Electrical feedback switch Type 1060 with installation nipple**

Actuator Size	Item No.
D	701515V
E	701515V
F	701515V
G	701516W
H	701516W

**Max. stroke limitation without visual position indication**

Actuator Size	Item No.
D	637866U
E	637866U
F	637866U
G	637867V
H	637868E

**Manual override with visual position indicator (Normally closed function only)**

Actuator Size	Item No.
D	636822P
E	636822P
F	636822P
G	636823Q
H	636823Q

**Namur-adapter, all brass**

Actuator Size	Item No.
D	637113R <sup>1)</sup>
E	637113R
F	637113R
G	637114J
H	637114J

**Namur-adapter, all stainless steel**

Actuator Size	Item No.
D	632974T <sup>1)</sup>
E	632974T
F	632974T
G	634275G
H	634275G

1) For Valve Types 2000/2002/2012 only.