

SKELETON PRESSURE AND VACUUM SWITCHES



FEATURES

- Sealed Metal Bellows Sensor
- Brass or Phosphor Bronze Wetted Materials
- Small Size
- 15 A SPDT Switch Output
- Screw Terminals
- Adjustable Ranges from 30" Hg Vac to 300 psi (-1 to 20,5 bar)



OVERVIEW

The classic J40 has been used for decades in OEM applications where compact size and performance are key. The sealed bellows provides a “leak-free” sensor for applications where elastomers are unacceptable.

FEATURES

- Sealed metal bellows sensor
- Brass or phosphor bronze wetted materials
- Small size
- Screw terminals
- Easy external adjustment
- Proven reliability



Optional Hex bellows housing

SPECIFICATIONS

STORAGE TEMPERATURE	-65 to 160°F (-54 to 71°C)
AMBIENT TEMPERATURE LIMITS	-40 to 160°F (-40 to 71°C)
SHOCK	Set point repeats after 15 G, 10 millisecond duration
VIBRATION	Set point repeats after 2.5 G, 5-500 CPS
ENCLOSURE CLASSIFICATION	Not applicable
SET POINT REPEATABILITY	± 1% of adjustable range
SWITCH OUTPUT	One SPDT; switch may be wired “normally open” or “normally closed”
ELECTRICAL RATING	15 A 125/250 VAC resistive
ENCLOSURE	Skeleton construction
WEIGHT	Approx. 4 oz.
ELECTRICAL CONNECTION	Direct to switch terminals
PRESSURE CONNECTION	Models 218-230: 1/4” NPT female; Models 256-274: 1/8” NPT male
MOUNTING	via NPT pressure connection

APPROVALS



UL 508 recognized, File # E42272



CSA certified C22.2 no. 14 File # LR39690



CE Compliance to Low Voltage Directive (LVD)
CE Compliance to Pressure Equipment Directive (PED 97/23/EC)



MODEL CHART

Model	Adjustable Set Point Range		Deadband		* Proof Pressure	
	psi	bar	psi	bar	psi	bar
Phosphor bronze bellows and 1/8" NPT male brass pressure connection						
256	0 to 30	0 to 2	1.5 to 2.5	0,1 to 0,2	45	3
260	0 to 60	0 to 4	1.5 to 4	0,1 to 0,3	90	6
262	0 to 90	0 to 6	1.5 to 4	0,1 to 0,3	135	9
266	0 to 100	0 to 6,9	2 to 4	0,1 to 0,3	150	10
271	0 to 240	0 to 16,5	2 to 6	0,1 to 0,4	330	22
274	0 to 300	0 to 20,5	4 to 6	0,2 to 0,4	350	24
Phosphor bronze bellows and 1/4" NPT female brass pressure connection						
218	30" Hg Vac to 0	-1 to 0	1 to 2.5" Hg Vac	0,1 to 0,2	5	0,3
222	0 to 20	0 to 1,3	0.2 to 1.3	0,01 to 0,1	30	2
224	0 to 30	0 to 2	0.2 to 1.3	0,01 to 0,1	45	3
226	0 to 50	0 to 3,4	0.2 to 1.3	0,01 to 0,1	75	5
230	0 to 100	0 to 6,9	1 to 2.3	0,1 to 0,2	110	7

*** Proof Pressure:** The maximum pressure to which a pressure sensor may be occasionally subjected, which causes no permanent damage. The unit may require calibration (e.g. start-up, testing).

HOW TO ORDER

BUILDING A PART NUMBER

Select a **Type**

Refer to the "Type" section below.
 Determine type number based on switch output, enclosure, adjustment and reference.
 Fill in the type portion of your part number with the corresponding number.

Select a **Model**

Refer to the "Model Charts"
 Determine model based on adjustable range, deadband and proof pressure.
 Fill in the model portion of your part number with the corresponding number.

Select an **Option**

Refer to the "Options" section
 Determine option number based on switch output, optional materials or other product enhancements.
 Fill in the option portion of your part number with the corresponding number. Leave "option" portion blank if no options are needed.
 FOR MULTIPLE OPTIONS: Call United Electric Controls.

TYPE	DESCRIPTION
J40	One SPDT output; skeleton open frame construction; external adjustment with no reference dial

SWITCH OPTIONS

0140	Gold contacts, 1 A 125 VAC resistive
0500	Close deadband, 5 A 125/250 VAC resistive
1070	10 A 125 VDC resistive; deadband and minimum set point will increase; consult factory for information
1520	Adjustable deadband, 15 A 125/250/277 VAC resistive. Adjustable wheel changes rise setting only. If adjustment of fall setting is required, use primary adjustment
1535	High ambient, 15 A 125/250 VAC resistive; temperatures up to 250° F (121° C)

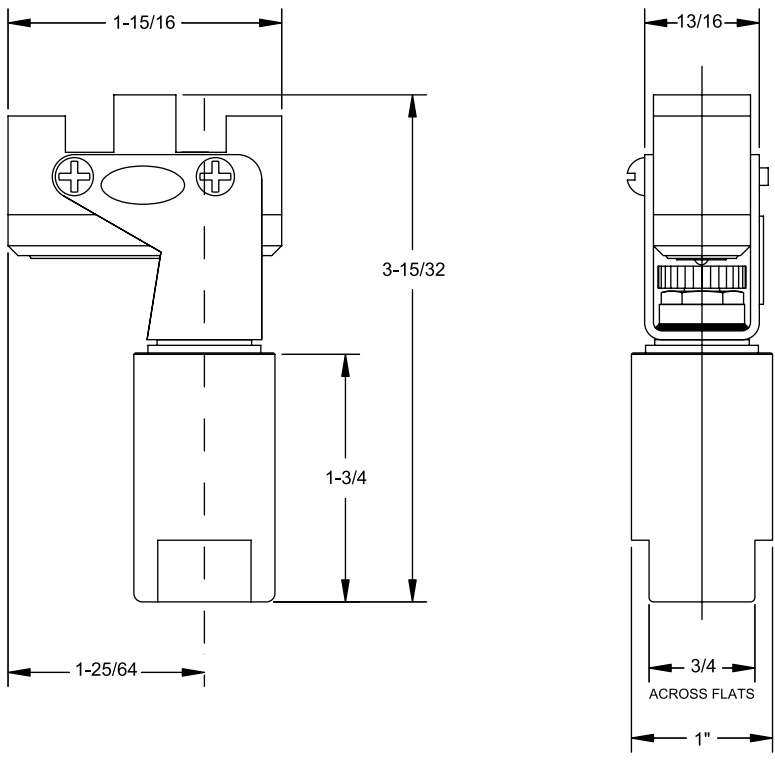
GENERAL

M201	Factory set one switch; specify increasing or decreasing pressure and set point
M407	CE Compliance to Pressure Equipment Directive (category IV)
M444	Paper ID tag
M446	Stainless steel ID tag and wire attachment
M514	Hex bellows housing. NOT AVAILABLE ON MODELS 218-230
M550	Oxygen service cleaning; internal construction may change

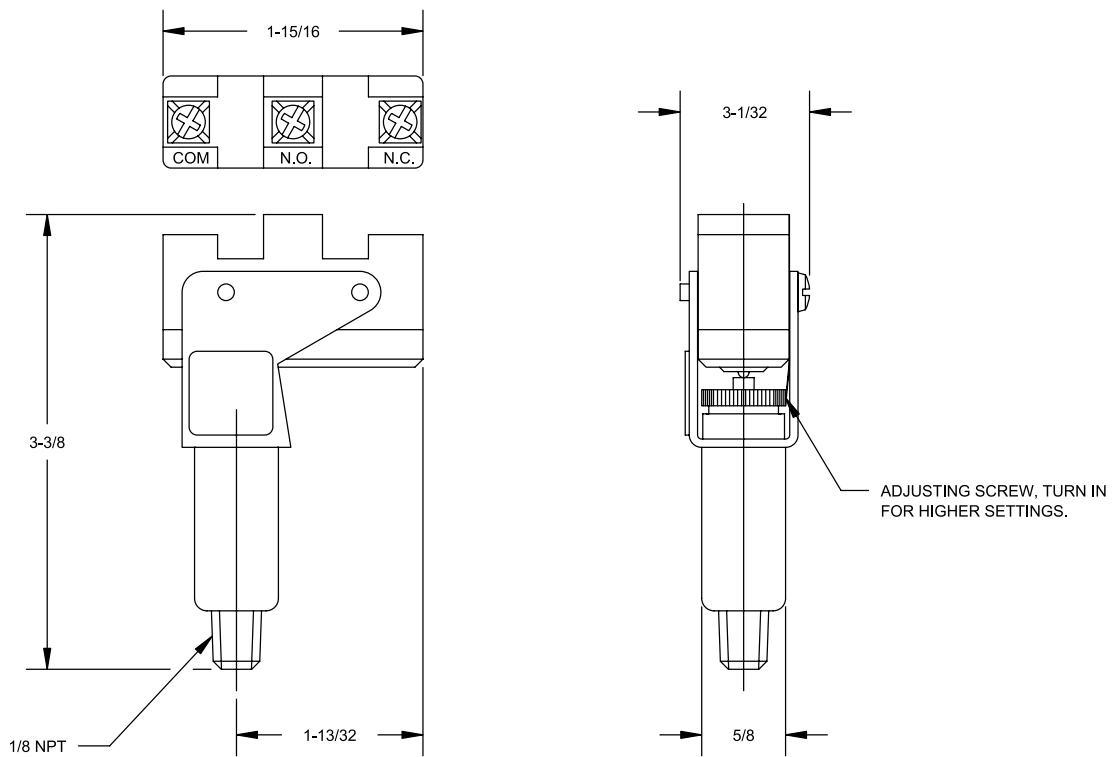


DIMENSIONAL DRAWINGS

Type J40, Models 218-230



Type J40, Models 256-274



RECOMMENDED PRACTICES AND WARNINGS

United Electric Controls Company recommends careful consideration of the following factors when specifying and installing UE pressure and temperature units. Before installing a unit, the Installation and Maintenance instructions provided with unit must be read and understood.

- To avoid damaging unit, proof pressure and maximum temperature limits stated in literature and on nameplates must never be exceeded, even by surges in the system. Operation of the unit up to maximum pressure or temperature is acceptable on a limited basis (e.g., start-up, testing) but continuous operation must be restricted to the designated adjustable range. Excessive cycling at maximum pressure or temperature limits could reduce sensor life.
- A back-up unit is necessary for applications where damage to a primary unit could endanger life, limb or property. A high or low limit switch is necessary for applications where a dangerous runaway condition could result.
- The adjustable range must be selected so that incorrect, inadvertent or malicious setting at any range point cannot result in an unsafe system condition.
- Install unit where shock, vibration and ambient temperature fluctuations will not damage unit or affect operation. Orient unit so that moisture does not enter the enclosure via the electrical connection. When appropriate, this entry point should be sealed to prevent moisture entry.
- Unit must not be altered or modified after shipment. Consult UE if modification is necessary.
- Monitor operation to observe warning signs of possible damage to unit, such as drift in set point or faulty display. Check unit immediately.
- Preventative maintenance and periodic testing is necessary for critical applications where damage could endanger property or personnel.
- For all applications, a factory set unit should be tested before use.
- Electrical ratings stated in literature and on nameplate must not be exceeded. Overload on a switch can cause damage, even on the first cycle. Wire unit according to local and national electrical codes, using wire size recommended in installation sheet.
- Do not mount unit in ambient temp. exceeding published limits.

LIMITED WARRANTY

Seller warrants that the product hereby purchased is, upon delivery, free from defects in material and workmanship and that any such product which is found to be defective in such workmanship or material will be repaired or replaced by Seller (Ex-works, Factory, Watertown, Massachusetts, INCOTERMS); provided, however, that this warranty applies only to equipment found to be so defective within a period of 24 months from the date of manufacture by the Seller. Seller shall not be obligated under this warranty for alleged defects which examination discloses are due to tampering, misuse, neglect, improper storage, and in any case where products are disassembled by anyone other than authorized Seller's representatives. EXCEPT FOR THE LIMITED WARRANTY OF REPAIR AND REPLACEMENT STATED ABOVE, SELLER DISCLAIMS ALL WARRANTIES WHATSOEVER WITH RESPECT TO THE PRODUCT, INCLUDING ALL IMPLIED WARRANTIES OF MERCHANTABILITY OR FITNESS FOR ANY PARTICULAR PURPOSE.

LIMITATION OF SELLER'S LIABILITY

Seller's liability to Buyer for any loss or claim, including liability incurred in connection with (i) breach of any warranty whatsoever, expressed or implied, (ii) a breach of contract, (iii) a negligent act or acts (or negligent failure to act) committed by Seller, or (iv) an act for which strict liability will be inputted to seller, is limited to the "limited warranty" of repair and/or replacement as so stated in our warranty of product. In no event shall the Seller be liable for any special, indirect, consequential or other damages of a like general nature, including, without limitation, loss of profits or production, or loss or expenses of any nature incurred by the buyer or any third party.

UE specifications subject to change without notice.

U.S. SALES OFFICES

United Electric Controls
32 Highland Rd.
South Hampton, NH 03827
Phone: 603-394-0078
FAX: 603-394-0175

United Electric Controls
28 N. Wise Ave.
Freeport, IL 61032
Phone: 815-235-3501
FAX: 815-235-3847

United Electric Controls
1022 Vineyard Drive
Conyers, GA 30013
Phone: 770-483-8400
FAX: 770-929-8716

United Electric Controls
5829 Grazing Court
Mason, OH 45040
Phone: 513-398-3175
FAX: 513-398-3076

United Electric Controls
102 Salazar Court
Clayton, CA 94517
Phone: 925-524-0210
FAX: 925-524-0210

United Electric Controls
27 Summit Terrace
Sparta, NJ 07871
Phone: 973-271-2550
FAX: 973-729-6099

United Electric Controls
4306 Lakeshore Forest Drive
Missouri City, TX 77459
Phone: 281-431-8134
FAX: 281-431-8158

INTERNATIONAL OFFICES

AUSTRALIA
United Electric Controls
(Australia) PTY Ltd
Unit 2, 615 Warrigal Road
Locked Bag 600
Ashburton, Victoria
3147, Australia
Phone: 613-9567-0750
FAX: 613-9567-0755

BELGIUM
United Electric Controls-Europe
G. Van Gervenstraat 19A
B-9120 Beveren-Waas, Belgium
Phone: 32-37554-383
FAX: 32-37552-747

CANADA
United Electric Controls
(Canada) Ltd
5320 Bradco Boulevard
Mississauga, Ontario
L4W 1G7 Canada
Phone: 905-625-5082
FAX: 905-625-5709

GERMANY
United Electric Controls
An Der Zentlinde 21
D-64711 Erbach, Germany
Phone: 496-062-7400
FAX: 496-062-7501

MALAYSIA
United Electric Controls, Far East
No. 1-2-2, 2nd Floor
Jalan 4/101C
Cheras Business Centre
Batu 5, Jalan Cheras
56100 Kuala Lumpur, Malaysia
Phone: 603-9133-4122
FAX: 603-9133-4155



UNITED ELECTRIC
CONTROLS

180 Dexter Avenue, P.O. Box 9143
Watertown, MA 02471-9143 USA
Telephone: 617 926-1000 Fax: 617 926-2568
<http://www.ueonline.com>