

## ELECTRONIC PRESSURE, DIFFERENTIAL PRESSURE AND TEMPERATURE SWITCHES

### PRODUCT FEATURES

- All Solid State Design
- Fully Adjustable Set Point and Deadband
- I Am Working Diagnostic Signal
- Class I, Division 2 Approved
- Wide Variety of Switching Outputs and Sensor Options



## OVERVIEW

One Series Electronic Pressure, Differential Pressure & Temperature Switches are designed for critical alarm and shutdown applications in harsh hazardous environments. A local indicator and remote I Am Working (IAW<sup>®</sup>) status signal provide continuous notification that the device is powered, healthy and whether the switch has tripped, assuring the operator that the One Series will perform when called upon.

Low level DC outputs (output configurations A and B) may be used to trigger control circuits or as a discrete input to a process computer (DCS or PLC).

A 13 Amp VAC solid-state relay (output configuration C) provides local high level switching for actuation or shutdown of your system.

The switch output mode may be configured by the user in the field without re-wiring. An optional 4 to 20 mA analog output allows remote monitoring and trending of the process variable.

The self-contained, compact package allows for easy retrofit of mechanical switches or transmitters.

115 VAC and 230 VAC input/output configurations enable the One Series to be powered by an AC source and switch AC loads. Approved for Division 2 hazardous locations and harsh environmental conditions, this rugged design will stand up to your most demanding applications.

## FEATURES

- 18-30 VDC, 115 VAC or 230 VAC power supply
- Real time local digital display of process variable
- Optional 4 to 20 mA analog output
- All solid-state; no moving parts
- Set point and deadband adjustable over the sensors full operating range
- Solid-state switching provides extended switch life with no contact wear
- Pipe or surface mounting
- Approved for Division 2 locations; Enclosure type 4X
- 3 year warranty



One Series with remote temperature sensor, digital display and 100 mA switch output

One Series with 115 VAC power supply, top enclosure contains separate high voltage and low voltage terminal blocks and pass-through conduit connectors



One Series with stainless-steel differential pressure sensor



One Series with gauge pressure sensor and LEXAN® cover removed



One Series with 3A rated sanitary sensor



One Series with local temperature sensor (shown with optional PF73 compression fitting)



One Series with inches-of-water column, differential pressure sensor (shown with optional barb fittings)



## APPLICATIONS

The One Series combines the best features of traditional switches and transmitters in one package. Use it for all threshold detection and switching applications.

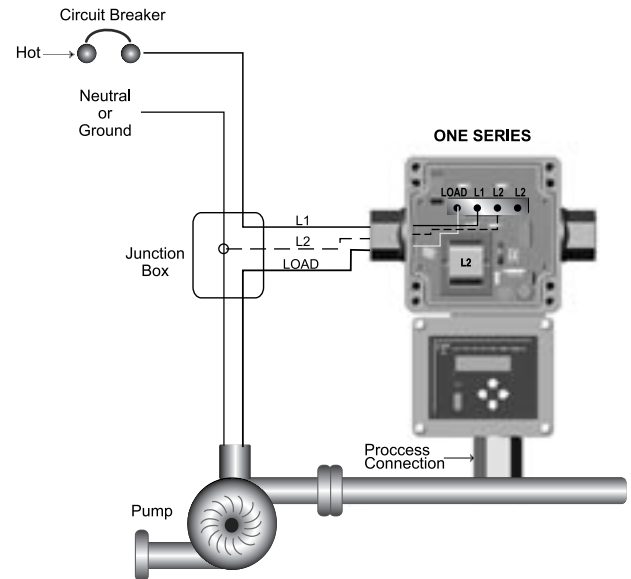
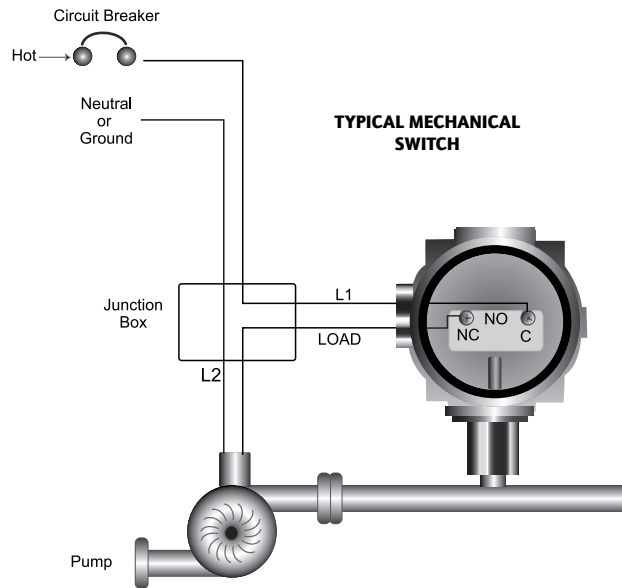
Pipelines & Pumping Stations



Chemical Plants and Refineries



REPLACING A MECHANICAL SWITCH WITH THE ONE SERIES REQUIRES ONE ADDITIONAL WIRE



### FROM MECHANICAL SWITCH:

- AC voltage must be located nearby for the pump
- This switch is in close proximity to the pump
- The switch breaks the power supply leg to the pump (load)

### TO ONE SERIES:

- Pull one additional neutral wire from the junction box to the One Series switch
- Just like the mechanical switch, the SSR breaks the power supply leg to the pump (load)

## Rotating Equipment



Rugged construction, wide media compatibility and flexible mounting options combine to make the One Series the ideal choice for monitoring and controlling critical pressure and temperature thresholds for a variety of process applications. It can also help you satisfy standards such as ISA S84.01 and IEC 61508 in areas such as redundancy, diverse technologies and reduced testing intervals. The One Series employs solid-state technology with no moving parts and is approved for use in Class I, Division 2 hazardous locations by UL for USA and Canadian installations. All pressure and differential pressure models include FM approvals.

### TRADITIONAL SWITCH FEATURES:

- AC or DC operation
- Low cost
- Simple to wire and operate
- Direct load switching

### TRANSMITTER FEATURES:

- Solid-state performance. No moving parts
- Live zero, "health indication"
- Remote indication of process variable

### THE ONE SERIES COMBINES THE BEST FROM EACH!

- AC or DC operation
- Solid-state output. No moving parts. Reliable operation
- Communicates "I Am Working" and "I Have Switched" status
- Local and remote status indicator
- Local display of process variable
- Local setting of set point, deadband and switch mode
- Local memory of minimum and maximum process extremes
- Combines a gauge, a transducer and a switch all in one package; using one process connection
- Optional 4-20 mA trending output
- Economical; about half the cost of a process transmitter

## TECHNOLOGY

### UNIQUE IAW® FUNCTION

The One Series provides a continuous indication of its health and the switch output status, both locally and remotely. An LED on the front panel and a discrete logic output signal are used to communicate three states:

- I Am Working but I Have Not Switched
- I Am Working and I Have Switched
- I Am Not Working

The One Series IAW® feature continuously monitors the health of the sensor, software, microprocessor and power supply. Used in conjunction with the standard switch output, the IAW® signal can also help satisfy many DPDT requirements. Functions of the IAW® signal are as follows:

IAW® Signal	Interpretation
IAW® output "On" continuously	Normal operation, unit operating properly
IAW® output pulsed "On" and "Off"	Beyond set point, unit operating properly
IAW® output "Off"	Loss of power or unit inoperable

### 100% SET POINT AND DEADBAND ADJUSTMENT

Set point and deadband values are adjustable over the full range span using a convenient, simple to operate, front panel keypad. Access to the programming mode requires a simple, yet tamper resistant keying sequence... It's better than password protection!

The easy-to-use local programmability of the One Series provides the following benefits:

- Eliminates the need to trade-off wide range adjustability to achieve a narrow deadband
- No more guessing about the set point or deadband values or the effects of hysteresis on the switch. All values may be displayed locally with the touch of a single button and then precisely adjusted to any point in the operating range
- Single digit (or better) resolution for both the set point and the deadband values. See DISPLAY RESOLUTION TABLE

### PROCESS VARIABLE EXTREMES STORED IN NON-VOLATILE MEMORY

System pressure or temperature extremes are retained in the One Series' non-volatile memory, assisting in troubleshooting problems. The One Series continuously captures high and low pressure or temperature extremes values, providing a readout and a tamper-resistant key sequence for resetting.

- Captures and stores extreme swings (peaks and valleys) of the process variable
- Use the - extreme as a "leak down" tester
- Use the + extreme to evaluate relief valve and rupture disc performance
- Local display of +/- extreme values, with the push of a single button

### UNIQUE SWITCH OPERATING MODE

The One Series provides four convenient switch operating modes which determine the function of the switch output, deadband, and IAW® LED status indicator signal. The local and remote IAW® signals will flash when the unit is in a tripped condition. The desired switch operating mode can be selected from one of four options:

- High Limit Alarm - Close on Rise (NO)
- High Limit Shutdown - Open on Rise (NC)
- Low Limit Alarm - Close on Fall (NO)
- Low Limit Shutdown - Open on Fall (NC)

The switch operating mode provides the following benefits:

- Wire the unit, then select your desired switch output (NO or NC) from a menu on the One Series' display
- Select the operation of the switch, deadband, status LED and IAW® output with a few simple keystrokes
- Eliminate wiring hassles with a single button; reconfigure rather than rewire the product if the application or requirements change

NOTE: For dual, independently-set outputs, see One Series Dual Bulletin.

### EXCELLENT MEDIA COMPATIBILITY

Gauge pressure: Wetted materials include a 316 stainless steel pressure connection, ceramic pressure sensor and your choice of O-ring material. The piezoresistive ceramic sensor is compatible with most media except a few aggressive acids.

- Sanitary pressure: 316L stainless steel sanitary process fitting
- Stainless-steel differential pressure: 316 welded sensor compatible with most media
- Differential pressure (dry only): compatible with dry air and inert gases
- Temperature: 304 stainless steel sensor sheath

### OUTSTANDING REPEATABILITY

A 10 bit analog-to-digital converter and software calibration provide a highly accurate and stable reading of the process variable. Calibration constants are stored in non-volatile memory to ensure set point repeatability and eliminate the need to recalibrate the instrument.

- Switch repeatability:  $\pm 0.2\%$  of full scale
- Display and 4-20mA accuracy:  $\pm 1.0\%$  of full scale

### FIELD TEST AND SET

After removing the protective LEXAN® cover, the user may easily vary the set point and/or deadband values to verify proper switch operation and check process extremes. Switch modes can be changed from Normally Open to Normally Closed without wiring changes.

## SPECIFICATIONS

*(All Specifications at 25°C (77°F) unless otherwise specified)*

### SENSORS

<b>GAUGE PRESSURE</b>	(Type 1) Ranges: 0 to 4000 psi (See MODEL CHART). Process connection: 1/2" NPT (female), 316 stainless steel. Sensor: Ceramic (96% Alumina). O-Ring: Viton® is standard. (See HOW TO ORDER for other O-Ring materials)
<b>SANITARY PRESSURE</b>	(Type 5) Ranges: 0-600 psi (See MODEL CHART). Process connection: Tri-Clamp compatible 1-1/2" or 2" 316L stainless steel with 3-A rated finish
<b>STAINLESS DIFFERENTIAL PRESSURE</b>	(Type 4) Ranges: 0-3000 psid (See MODEL CHART). Process Connection: 1/4" NPT (female), 316L stainless steel welded diaphragms
<b>DRY DIFFERENTIAL PRESSURE</b>	(Type 3) Ranges: 0-5" wcd to 0-35 psid (see MODEL CHART). Process connection: 1/4" NPT (female) ports, compatible with dry air and inert gases (Silicon sensor with aluminum/plastic/glass/RTV wetted parts)
<b>TEMPERATURE</b>	(Type 2) Ranges: -50 to 1000°F (-46 to 538 °C) (See MODEL CHART). Model H: MI extension wire, 0.125" OD x 6', 10' or 20' long. Model R: 0.25" OD with Teflon® jacketed cable with Teflon® coated leads and stainless steel overbraid, 6', 10' or 20' long. Model L: 0.25" OD x 4", 6", 10" long.

### MECHANICAL

<b>ENCLOSURE SPECIFICATIONS</b>	Die-cast aluminum epoxy powder coated; Enclosure Type 4X (except "R" temperature models. "R" models are weather tight but do not carry a specific Enclosure Type 4X rating)
<b>WEIGHT</b>	Single enclosure units: 1-3/4 lbs. (0,8 kg); dual enclosure units: 2-1/2 lbs. (1,1 kg)
<b>SHOCK</b>	MIL-STD Method 516.4; 10 mSec @ 15 g's, 6 mSec @ 40 g's; 3 times each axis
<b>VIBRATION</b>	MIL-STD Method 514.4; 10-2000 Hz @ 0.04 PSD (equates to 8 g's @ 2000 Hz)

### ELECTRICAL

<b>CONDUIT/ELECTRICAL CONNECTIONS</b>	Single enclosure (switch rating A): 1/2" NPT (female), sealed conduit with 1 meter wire harness, 20 AWG, PVC jacketed, shielded cable. See optional lengths (L100 and L200) Dual enclosure (switch rating B and C): 1/2" NPT (female) conduit connection; terminal block, accommodates 20 to 14 AWG conductors. Optional dual 1/2" NPT (female) conduit connections Dual enclosure (switch rating D and E): dual 1/2" NPT (female) conduit connections; separate terminal blocks for high and low voltage signals, accommodates 22 to 14 AWG conductors
<b>POWER SOURCE</b>	Switch rating A, B & C: 24 VDC nominal, 18 to 30 VDC; 100 mA maximum (surge protected). Switch rating D: 115 VAC nominal, +/- 10%. Switch rating E: 230 VAC nominal, +/- 10%
<b>SWITCHED OUTPUT</b>	Switch rating A & B: 100 mA @ up to 50 VDC; SPST MOSFET, open drain (collector) sinking output, short circuit protected Switch rating C: 13 A @ 24-280 VAC; SPST, solid state relay with terminal block: minimum load current is 150mA Switch rating D: 5 A @ 115 VAC; SPST, solid-state relay; minimum load current is 150 mA Switch rating E: 5 A @ 230 VAC; SPST, solid-state relay; minimum load current is 150 mA or dual switched outputs, see Bulletin for One Series Dual
<b>OFF-STATE LEAKAGE CURRENT</b>	Switch Rating A and B: 10 µA @ 50 VDC, power off fail-safe "open" Switch ratings C, D and E: 0.1 mA @ max. VAC; power off fail-safe "open"
<b>IAW® OUTPUT</b>	100 mA @ up to 50 VDC, SPST, MOSFET, open drain (collector) sinking output, short circuit protected. Off state leakage current 10 µA @ 50 VDC; power off fail-safe "open"

<b>IAW® OUTPUT PULSE RATE</b>	25 mSec on, 25 mSec off
<b>OPTIONAL ANALOG OUTPUT</b>	4 to 20 mA sourcing output, non-isolated, proportional to sensor input range, load resistance 500Ω maximum
<b>EMI/RFI</b>	Complies with CE EMC requirements EN50081-1, EN50082-2 (switch rating B and C only)
<b>EMISSION</b>	Conducted emission EN55011 class A; Radiated emission EN55011 class A
<b>IMMUNITY</b>	Electrostatic discharge EN61000-4-2; Conducted disturbances (RF) acc. IEC 1000-4-6; Radiated E-fields (RF) acc IEC 1000-4-3, acc ENV50204; Surge withstanding IEC 1000-5; Transient withstanding EN 61000-4-4

**OPERATING**

<b>RANGES</b>	See MODEL CHART for pressure, differential pressure and temperature ranges
<b>SET POINT</b>	Adjustable over the full range span. See MODEL CHART
<b>DEADBAND</b>	Adjustable over the full range span. See MODEL CHART
<b>MAXIMUM OVER RANGE</b>	See MODEL CHART. N/A for temperature ranges
<b>SET POINT REPEATABILITY</b>	±0.2% of maximum range value
<b>ACCURACY</b>	Switch point/indication: ±1.0% of maximum range value Analog output: ±1.0% of maximum range value
<b>MEDIA TEMPERATURE EFFECTS</b>	±1.0% of maximum range from 32 to 158°F (0 to 70°C)
<b>LONG-TERM STABILITY</b>	±0.25% of range per year, maximum
<b>SWITCH RESPONSE TIME</b>	25 mSec typically, 200 mSec maximum

**GENERAL FEATURES**

<b>AMBIENT TEMPERATURE</b>	Operating: -22 to 158°F (-30 to 70°C) Storage: -22 to 176°F (-30 to 80°C) Dry Differential Pressure Model: -22 to 122°F (-30 to 50°C)
<b>MEDIA TEMPERATURE FOR GAUGE PRESSURE MODELS</b>	Sensor type 1: Limited by O-ring material. See HOW TO ORDER. Sensor type 5: 0 to 266°F (-17 to 130°C)
<b>MEDIA TEMPERATURE FOR DIFFERENTIAL PRESSURE MODELS (SENSOR 3)</b>	-20 to 150°F (-28 to 65°C) @ 65 psi -20 to 140°F (-28 to 60°C) @ 80 psi -20 to 120°F (-28 to 48°C) @ 120 psi
<b>STAINLESS DIFFERENTIAL PRESSURE MODELS (SENSOR 4)</b>	0 to 257°F (-17 to 125°C)
<b>MEDIA TEMPERATURE FOR TEMPERATURE MODELS</b>	-94 to 550°F (-70 to 288°C) (Models L & R) -94 to 1150°F (-70 to 621°C) (Model H)
<b>LOCAL DIGITAL DISPLAY</b>	2 Row by 16 character LCD display for indication of programming parameters and process variable; also displays extreme (min/max) pressure or temperature values
<b>LOCAL IAW® STATUS LED</b>	Local IAW® LED to indicate switch state and health status
<b>FIELD ACCESSIBLE PROGRAMMING</b>	Convenient keypad allows for easy product configuration and adjustment
<b>MEMORY</b>	All programmed data stored in non-volatile memory (saved if power lost)
<b>SWITCH OPERATING MODES</b>	Field programmable for open or close on rising or falling condition

## APPROVALS



**UL** Listed, **cUL** Certified  
 Class I, Division 2, Groups A, B, C, D  
 Class II, Division 2, Groups F, G  
 Class III; Enclosure type 4X (except "R" temperature models)  
 Class I, Zone 2, Group IIC T4



**CE EMC** Directive (standard on switch rating B & C. N/A on switch ratings A, D and E)  
**CE** Compliance to Pressure Equipment Directive (PED 97/23/EC)



**FM** approved standard class number 3510, 3611 and 3600 (except temperature models)  
 Teflon® and Viton® are registered trademarks of E.I. DuPont Company  
 Lexan® is a registered trademark of General Electric Company  
 Aflas® is a registered trademark of Asahi Glass Co., Ltd.  
 Kalrez® is a registered trademark of E.I. DuPont Company  
 Tri Clamp® is a registered trademark of the TriClover Company

## MODEL CHART

### GAUGE PRESSURE

**Sensor Type 1**, 1/2" NPT (female), 316 stainless steel pressure connection, piezoresistive ceramic pressure sensor, Viton O-ring (Other O-rings available. See HOW TO ORDER)

Model	Pressure Range		Maximum Over Range	
	psi	bar	The value at which the sensor may experience irreversible damage	
	psi	bar	psi	bar
A	0 to 25	1,7	50	3,4
B	0 to 50	3,4	100	6,8
C	0 to 125	9	250	18
D	0 to 250	17	500	34
E	0 to 700	48	1400	96
F	0 to 1400	96	2800	192
G	0 to 2800	193	5600	386
H	0 to 4000	276	8000	552

### SANITARY PRESSURE

**Sensor Type 5**, 316L stainless steel diaphragm, welded sensor; Tri-clamp® compatible pressure connection, 3A Rated Finish

Part Number	Pressure Range		Maximum Over Range		Sensor Diameter
	psi	bar	psi	bar	
T1	0 to 25	1,7	50	3,4	1 1/2"
T2	0 to 50	3,4	100	6,8	1 1/2"
T3	0 to 125	9	250	18	1 1/2"
T4	0 to 250	17	500	34	1 1/2"
T5	0 to 600	41	1400	76	1 1/2"
T6	0 to 25	1,7	50	3,4	2"
T7	0 to 50	3,4	100	6,8	2"
T8	0 to 125	9	250	18	2"
T9	0 to 250	17	500	34	2"

**DIFFERENTIAL PRESSURE** (dry air, inert gas)

**Sensor Type 3**, 1/4" NPT (female) pressure connections, silicon sensor, with aluminum/plastic/glass/RTV wetted parts. Suitable for sensing of dry air and inert gases. Optional plastic barb fittings available (Kit 62169-19). Ambient temperature range -22°F to 122°F (-30°C to 50°C)

Model	Differential Pressure Range (1)		Differential Over Range Pressure (2)		Working Pressure (3)	
	psid ("wcd)	bar/(mbar)	psid	bar	psig	bar
K1	(0 to 5)	(12,4)	1	0,1	6	0,4
K2	(0 to 25)	(62,2)	20	1,4	100	6,9
K3	(0 to 80)	(199)	20	1,4	100	6,9
K4	0 to 5	(344,7)	30	2,1	100	6,9
K5	0 to 12	(827,4)	60	4,1	100	6,9
K6	0 to 35	2,41	100	6,9	100	6,9

**DIFFERENTIAL PRESSURE** (Stainless, suitable for wet media)

**Sensor Type 4**, 316 welded stainless steel diaphragms with 1/4" NPT (female) pressure connections

Model	Differential Pressure Range (1)		Differential Over Range Pressure (2)		Working Pressure (3)	
	psid	bar	psid	bar	psi	bar
W4	0 to 100	6,9	300	21	1800	124
W5	0 to 300	21	900	62	2750	190
W6	0 to 1000	69	2000	138	2750	190
W7	0 to 3000	207	3000	207	3250	224

- (1) Range is defined as the range of differential pressure between process inputs for which the sensor will operate within specified functional tolerances
- (2) Differential Over Range Pressure is defined as the maximum difference in pressure between the process inputs. Exceeding this pressure differential at any working pressure may permanently damage the sensor performance
- (3) Working Pressure is defined as the maximum pressure at either process input. Exceeding this pressure at either process input individually or simultaneously may permanently damage the sensor performance

**TEMPERATURE**

**Sensor Type 2**, 0.25" OD sensor housing, 304 stainless steel, 100 ohm RTD temperature sensor. NOTE: Must order PF73 compression fitting or SA6213-348 union connection if threaded connection is required. Accessory thermowells are also available (see page 14)

Model	Temperature Range	Maximum Over Range	Description
L1	-50 to 450°F (-45 to 232°C)	550°F (288°C)	Local sensor, 4" long
L2	-50 to 450°F (-45 to 232°C)	550°F (288°C)	Local sensor, 6" long
L3	-50 to 450°F (-45 to 232°C)	550°F (288°C)	Local sensor, 10" long
R1	-50 to 450°F (-45 to 232°C)	550°F (288°C)	Remote sensor, 6" long with 6' Teflon® extension wire
R2	-50 to 450°F (-45 to 232°C)	550°F (288°C)	Remote sensor, 6" long with 10' Teflon® extension wire
R3	-50 to 450°F (-45 to 232°C)	550°F (288°C)	Remote sensor, 6" long with 20' Teflon® extension wire
H1	-50 to 1000°F (-45 to 538°C)	1150°F (621°C)	Remote sensor, high temp., 2.5" long with 6' MI ext. wire
H2	-50 to 1000°F (-45 to 538°C)	1150°F (621°C)	Remote sensor, high temp., 2.5" long with 10' MI ext. wire
H3	-50 to 1000°F (-45 to 538°C)	1150°F (621°C)	Remote sensor, high temp., 2.5" long with 20' MI ext. wire
H4	-50 to 450°F (-45 to 232°C)	1150°F (621°C)	Remote sensor, 2.5" long with 6' MI ext. wire
H5	-50 to 450°F (-45 to 232°C)	1150°F (621°C)	Remote sensor, 2.5" long with 10' MI ext. wire
H6	-50 to 450°F (-45 to 232°C)	1150°F (621°C)	Remote sensor, 2.5" long with 20' MI ext. wire



## HOW TO ORDER

Build a part number by selecting appropriate code for each feature category. Example: **D1A1B2N M446**

D	1	A	1	B	2	N	M446
Setting/ Indicating Method	Series Designation	Switch Rating/ Termination/ Power Supply	Sensor Type	Model	*O-Ring Material	Auxiliary Output	Miscellaneous Options

\*Applicable only for pressure sensor type 1

**D 1 A 1 B 2 N M446**

(see next page)

ORDERING  
CODE

DESCRIPTION

**SETTING/INDICATION METHOD**

D User adjustable, digital indicating configuration

**SERIES DESIGNATION**

1 Designation for One Series product line with single switch output

**SWITCH RATING/TERMINATION/POWER SUPPLY (ALSO SEE LIST OF OPTIONS)**

- A MOSFET Open drain (collector) output with flying lead-wires
- B MOSFET Open drain (collector) output with terminal block (upper enclosure included)
- C 13A VAC solid-state relay with terminal block (upper enclosure included)
- D 5A VAC solid-state relay with 115 VAC internal power supply and terminal blocks (upper enclosure included, dual conduit ports standard)
- E 5A VAC solid-state relay with 230 VAC internal power supply and terminal blocks (upper enclosure included, dual conduit ports standard)

**SENSOR TYPE**

- 1 Gauge pressure, 316 stainless steel 1/2" NPT (female) pressure connection, ceramic sensor
- 2 Temperature Sensor (Thermowell Information: see page 14)
- 3 Differential pressure (dry air), silicon sensor, 1/4" NPT (female) pressure connections, 180° opposite
- 4 Differential pressure, 316 welded stainless steel diaphragms with 1/4" NPT (female) pressure connections
- 5 Sanitary pressure, 316L stainless steel, 1 1/2" or 2" Tri-Clamp® connection

**MODEL RANGE**

- A-H Pressure, NPT
- T1-T9 Pressure, sanitary
- K1-K6 Differential pressure, dry
- W4-W7 Differential pressure, stainless
- L1-L3 Temperature, local
- R1-R3 Temperature, remote/teflon
- H1-H6 Temperature, remote/MI

**O-RING MATERIAL (SENSOR TYPE 1 ONLY)**

- 0 Viton®; media temperature 0 to 257°F (-17 to 125°C)
- 1 Aflas®; media temperature 32 to 200°F (0 to 93°C)
- 2 Buna N; media temperature -22 to 257°F (-30 to 125°C)
- 3 EPR; media temperature -22 to 257°F (-30 to 125°C)
- 4 Kalrez®; media temperature 32 to 257°F (0 to 125°C)

**AUXILIARY OUTPUT**

- N None
- A 4 to 20 mA analog process trending signal (sourcing output)

<b>D</b>	<b>1</b>	<b>A</b>	<b>1</b>	<b>B</b>	<b>2</b>	<b>N</b>	<b>M446</b>
Setting/ Indicating Method	Series Designation	Switch Rating/ Termination/ Power Supply	Sensor Type	Model	*O-Ring Material	Auxiliary Output	Miscellaneous Options

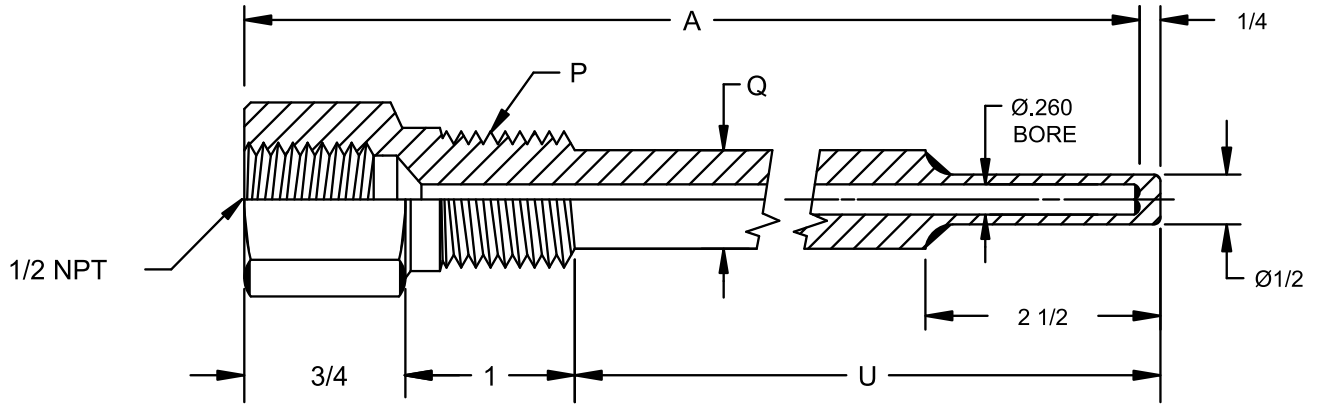
\*Applicable only for pressure sensor type 1.

**D 1 A 1 B 2 N M446**

**MISCELLANEOUS OPTIONS**

- M025 5A up to 200 VDC, solid state relay output 20 mA min. load (switch rating "C" only, no agency approvals)
- M026 13A VAC solid state relay with snubber for inductive switching (switch rating "C","D" and "E" only)
- M027 VAC power supply with free contact solid state relay (switch rating "D" and "E" only)
- M029 Low current (1.5 max.) VAC solid-state relay with free contacts (available on D and E only)
- M031 Sourcing switch and IAW outputs for low-level VDC (available on D1A and D1B only)
- M032 Free contact output for low-level VDC/VAC for units ordered with sourcing IAW VDC output. 4-20 mA output is not available with this option (available on D1A and D1B only)
- M033 Free contact output for low-level VDC/VAC for units ordered with 4-20 mA output. IAW output is not available with this option (available on D1A and D1B only)
- M041 Secondary barrier for hazardous media (sensors types 1, 4 and 5 only)
- M042 Miscellaneous setting (response time, non-standard units of measure)
- M201 Factory set parameters (set point, deadband and switch operating mode)
- M205 Scale 4 to 20 mA output (Factory configured. Customer must specify upper and lower range limits)
- M270 Display and nameplate units of measure in degrees C (temperature units only)
- M276 Display and nameplate units of measure in mbar or bar (pressure units only. See "DISPLAY RESOLUTION" for availability)
- M277 Display and nameplate units of measure in kPa or mPa (pressure units only. See "DISPLAY RESOLUTION" for availability)
- M278 Display and nameplate units of measure in kg/cm2 (pressure units only. See "DISPLAY RESOLUTION" for availability)
- M440 Cover chain
- M444 Paper tag
- M446 Stainless steel tag
- M550 Oxygen service cleaning; (includes Viton® O-ring, sensors types 1, 4 and 5 only)
- M905 1/2" NPT(female) dual conduit entry (switch rating "C" only, standard on "D" and "E")
- L100 10 feet long cable assembly (switch rating "A" only)
- L200 20 feet long cable assembly (switch rating "A" only)
- 62169-19 3/16" plastic barb fitting kit (sensor type 3 only)
- PF73 1/2" NPT compression fitting kit (temperature models L1-L3 only)
- SA6213-348 1/2" union connector kit (temperature models R1-R3 and H1-H6 only)
- 62169-27 Lexan replacement cover kit

## THERMOWELLS (FOR TEMPERATURE SENSOR TYPE 2)



U.E. CATALOG P/N	P	A	Q	U	MATERIAL
1S260 L4-316	1/2 NPT	4	-	2 1/2	316 S/S
1S260 L5.5-316	1/2 NPT	5 1/2	Ø5/8	4	316 S/S
1S260 L6-316	1/2 NPT	6	Ø5/8	4 1/2	316 S/S
1S260 L6.5-316	1/2 NPT	6 1/2	Ø5/8	5	316 S/S
1S260 L9-316	1/2 NPT	9	Ø5/8	7 1/2	316 S/S
1S260 L9.5-316	1/2 NPT	9 1/2	Ø5/8	8	316 S/S
1S260 L12-316	1/2 NPT	12	Ø5/8	10 1/2	316 S/S
1S260 L15-316	1/2 NPT	15	Ø5/8	13 1/2	316 S/S
1S260 L18-316	1/2 NPT	18	Ø5/8	16 1/2	316 S/S
1S260 L24-316	1/2 NPT	24	Ø5/8	22 1/2	316 S/S
2S260 L4-316	3/4 NPT	4	-	2 1/2	316 S/S
2S260 L6-316	3/4 NPT	6	Ø3/4	4 1/2	316 S/S
2S260 L9-316	3/4 NPT	9	Ø3/4	7 1/2	316 S/S
2S260 L12-316	3/4 NPT	12	Ø3/4	10 1/2	316 S/S
2S260 L15-316	3/4 NPT	15	Ø3/4	13 1/2	316 S/S
2S260 L18-316	3/4 NPT	18	Ø3/4	16 1/2	316 S/S
2S260 L24-316	3/4 NPT	24	Ø3/4	22 1/2	316 S/S

## ONE SERIES D1 CLASSIC - CONFIGURATION SELECTION GUIDE

### POWER AND SWITCH OPTIONS

#### Powering the One Series with 18-30 VDC:

Switch Output Voltage Requirements	Field Wiring Interface	One Series Switch Output Circuit Type	IAW® Switch Output Type	One Series Configuration #
Up to 50 VDC or 50 VAC	Leadwires	Open Drain Sinking Output (100 mA, to 50 VDC)	Open Drain Sinking Output (100 mA, to 50 VDC)	D1A--
		Sourcing Output (100 mA, @ 18-30 VDC)	Sourcing Output (100 mA, @ 18-30 VDC)	D1A--M031
		Isolated Opto-MOS Relay, free contacts (100mA, to 50 VDC or VAC), 4-20 mA option not available		D1A--M032
		Isolated Opto-MOS Relay, free contacts (100mA, to 50 VDC or VAC), Sourcing 4-20 mA option available	Not Available	D1A--M033
	Terminal Block	Open Drain Sinking Output (100 mA, to 50 VDC)	Open Drain Sinking Output (100 mA, to 50 VDC)	D1B--
		Sourcing Output (100 mA, @ 18-30 VDC)	Sourcing Output (100 mA, @ 18-30 VDC)	D1B--M031
		Isolated Opto-MOS Relay, free contacts (100mA, to 50 VDC or VAC), 4-20 mA option not available		D1B--M032
		Isolated Opto-MOS Relay, free contacts (100mA, to 50 VDC or VAC), Sourcing 4-20 mA option available	Not Available	D1B--M033
Up to 200 VDC	Terminal Block	5 Amp VDC SSR, free contacts, 20 mA minimum load	Open Drain Sinking Output (100 mA, to 50 VDC)	D1C--M025
24 to 280 VAC	Terminal Block	13 Amp, VAC SSR, 24-280 VAC, free contacts, 150 mA minimum load		D1C--
		13 Amp VAC SSR with snubber circuit (for inductive loads), 24-280 VAC, free contacts, 150 mA minimum load		D1C--M026

#### Powering the One Series with 115 VAC:

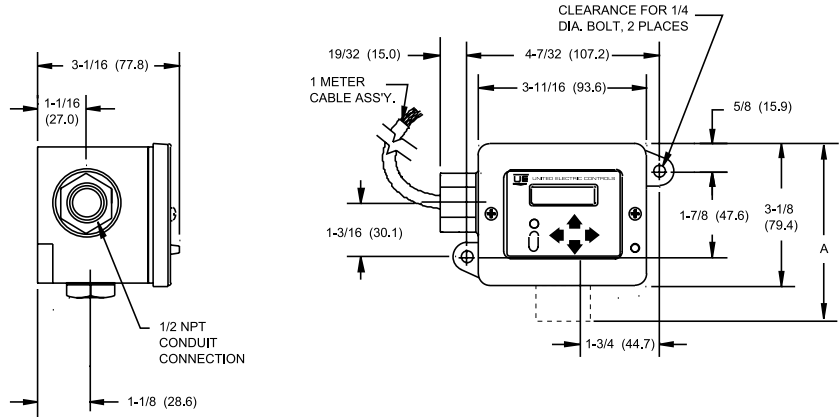
Switch Output Voltage Requirements	Field Wiring Interface	One Series Switch Output Circuit Type	IAW® Switch Output Type	One Series Configuration #
Up to 280 VAC	Terminal Block	5 Amp VAC SSR @ 115 VAC, 150 mA minimum load, SSR input tied to 115 VAC power supply	Open Drain Sinking Output (100 mA, to 50 VDC)	D1D--
		5 Amp VAC SSR with snubber (for inductive loads) @ 115 VAC, 150 mA minimum load, SSR input tied to 115 VAC power supply		D1D--M026
		5 Amp VAC SSR, 24-280 VAC, 150 mA minimum load, free contact		D1D--M027
		1.5 Amp VAC SSR, 12-280 VAC, 10 mA minimum load, free contact		D1D--M029

#### Powering the One Series with 230 VAC:

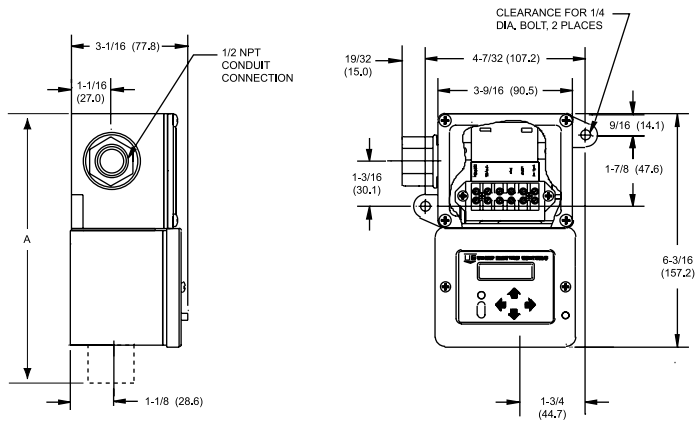
Switch Output Voltage Requirements	Field Wiring Interface	One Series Switch Output Circuit Type	IAW® Switch Output Type	One Series Configuration #
Up to 280 VAC	Terminal Block	5 Amp VAC SSR @ 230 VAC, 150 mA minimum load, SSR input tied to 230 VAC power supply	Open Drain Sinking Output (100 mA, to 50 VDC)	D1E--
		5 Amp VAC SSR with snubber (for inductive loads) @ 230 VAC, 150 mA minimum load, SSR input tied to 230 VAC power supply		D1E--M026
		5 Amp VAC SSR, 24-280 VAC, 150 mA minimum load, free contact		D1E--M027
		1.5 Amp VAC SSR, 12-280 VAC, 10 mA minimum load, free contact		D1E--M029

## DIMENSIONAL DRAWINGS

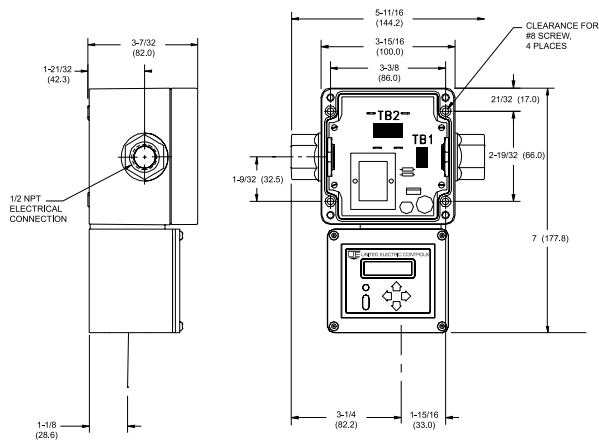
**SWITCH RATING "A" CONFIGURATION**



**SWITCH RATING "B" & "C" CONFIGURATIONS**



**SWITCH RATING "D" and "E" CONFIGURATIONS**

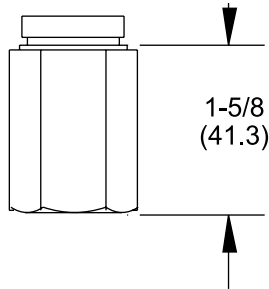


SEE SENSOR DETAILS

## DIMENSIONAL DRAWINGS

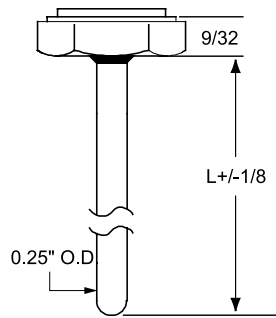
### SENSOR DETAILS

Pressure Sensor



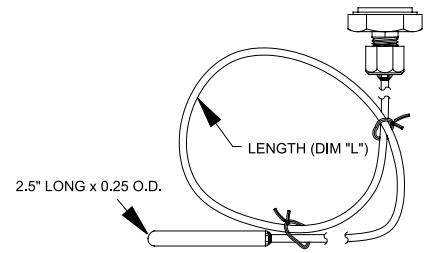
1/2" NPT Process Connection

Local Temperature Sensor



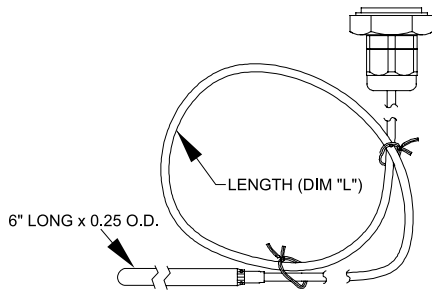
MODEL	DIM "L" (IN.)
L1	4
L2	6
L3	10

High Temperature Remote Sensor



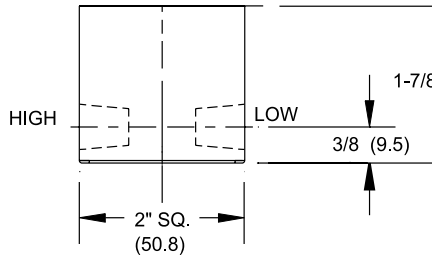
MODEL	DIM "L" (FT.)
H1, H4	6
H2, H5	10
H3, H6	20

Low Temperature Remote Sensor



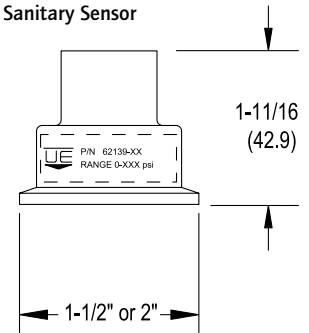
MODEL	DIM "L" (FT.)
R1	6
R2	10
R3	20

Differential Pressure Sensor Dry Media

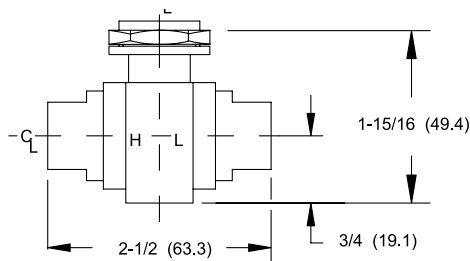


1/4" NPT Process Connections

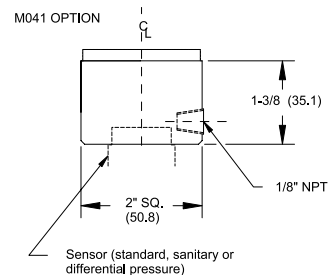
Sanitary Sensor



Stainless Steel Differential Pressure Sensor



M041 Secondary Seal





## DISPLAY RESOLUTION

The resolution of the display is dependent on the pressure range and display units. The values below represent the number of digits to the right of the decimal point. Display resolution for temperature ranges is 0.

Sensor	Model	Range	Number of Decimal Places				
			psi	bar	kPa	MPa	kg/cm <sup>2</sup>
1	A	0 - 25 psi	2	2	1	n/a	2
1	B	0 - 50 psi	1	2	1	n/a	2
1	C	0 - 125 psi	1	2	0	n/a	2
1	D	0 - 250 psi	0	1	0	n/a	1
1	E	0 - 700 psi	0	1	0	n/a	1
1	F	0 - 1400 psi	0	1	0	n/a	1
1	G	0 - 2800 psi	0	0	n/a	2	0
1	H	0 - 4000 psi	0	0	n/a	2	0
3	K1	0 - 5" wcd	2 (wcd)	2 mbar	2	n/a	n/a
3	K2	0 -25" wcd	1 (wcd)	1 mbar	2	n/a	n/a
3	K3	0 -80 wcd	1 (wcd)	1 mbar	2	n/a	n/a
3	K4	0 - 5 psid	2	0 mbar	2	n/a	n/a
3	K5	0 - 12 psid	2	0 mbar	1	n/a	n/a
3	K6	0 - 35 psid	1	0 mbar	0	n/a	n/a
4	W4	0-100 psid	1	2	0	n/a	2
4	W5	0-300 psid	0	1	0	n/a	1
4	W6	0-1000 psid	0	1	0	n/a	1
4	W7	0-3000 psid	0	0	n/a	2	0
5	T1/T6	0-25 psi	2	2	1	n/a	2
5	T2/T7	0-50 psi	1	2	1	n/a	2
5	T3/T8	0-125 psi	1	2	0	n/a	2
5	T4/T9	0-250 psi	0	1	0	n/a	1
5	T5	0-600 psi	0	1	0	n/a	1

## ALTERNATIVE PRODUCTS FROM UE

### One Series Single, Dual and 2-Wire Electronic Pressure and Temperature Switches, with I Am Working Diagnostics Signal

- Solid-state reliability with health-checking diagnostics
- Available with innovative low power "2-Wire" model for discrete input to PLC's or DCS; or models to switch 115/230 VAC and 125 VDC loads
- Enclosure type 4X design, approved for Class I, Division 2 hazardous or Div. 1/Zone 0 intrinsically safe locations
- Digital display and tamper-proof keypad adjustment of set point and deadband
- Optional 4-20 mA analog output



### 120 Series Electromechanical Switches

- Wide selection of explosion-proof line of pressure, differential, pressure and temperature models
- UL, cUL, Cenelec EE xd certified for hazardous locations
- Single or dual switch outputs
- Internal or external set point adjustment



### 460 Series Pressure Transmitters

- Welded, #316 Stainless steel construction
- CSA, NRTL/C, Cenelec EE xd certified for hazardous locations
- Ranges 0 to 15,000 psi
- Choice of field or factory-sealed zero and span calibration
- 4-20 mA or 0-4 VDC



### 117 SERIES Compact Electromechanical Switches

- Single Switch for Corrosive and Hazardous Division 2 Locations
- Compact pressure, differential pressure and temperature models
- Hermetically-sealed SPDT and DPDT output
- Approved for Class I, Division 2 hazardous locations
- Epoxy-coated weather-tight design houses stainless steel internal construction
- Convenient terminal block wiring



## RECOMMENDED PRACTICES AND WARNINGS

United Electric Controls Company recommends careful consideration of the following factors when specifying and installing UE pressure and temperature units. Before installing a unit, the Installation and Maintenance instructions provided with unit must be read and understood.

- To avoid damaging unit, proof pressure and maximum temperature limits stated in literature and on nameplates must never be exceeded, even by surges in the system. Operation of the unit up to maximum pressure or temperature is acceptable on a limited basis (e.g., start-up, testing) but continuous operation must be restricted to the designated adjustable range. Excessive cycling at maximum pressure or temperature limits could reduce sensor life.
- A back-up unit is necessary for applications where damage to a primary unit could endanger life, limb or property. A high or low limit switch is necessary for applications where a dangerous runaway condition could result.
- The adjustable range must be selected so that incorrect, inadvertent or malicious setting at any range point cannot result in an unsafe system condition.
- Install unit where shock, vibration and ambient temperature fluctuations will not damage unit or affect operation. Orient unit so that moisture does not enter the enclosure via the electrical connection. When appropriate, this entry point should be sealed to prevent moisture entry.
- Unit must not be altered or modified after shipment. Consult UE if modification is necessary.
- Monitor operation to observe warning signs of possible damage to unit, such as drift in set point or faulty display. Check unit immediately.
- Preventative maintenance and periodic testing is necessary for critical applications where damage could endanger property or personnel.
- For all applications, a factory set unit should be tested before use.
- Electrical ratings stated in literature and on nameplate must not be exceeded. Overload on a switch can cause damage, even on the first cycle. Wire unit according to local and national electrical codes, using wire size recommended in installation sheet.
- Do not mount unit in ambient temp. exceeding published limits.

## LIMITED WARRANTY

Seller warrants that the product hereby purchased is, upon delivery, free from defects in material and workmanship and that any such product which is found to be defective in such workmanship or material will be repaired or replaced by Seller (Ex-works, Factory, Watertown, Massachusetts, INCOTERMS); provided, however, that this warranty applies only to equipment found to be so defective within a period of 36 months from the date of manufacture by the Seller. Seller shall not be obligated under this warranty for alleged defects which examination discloses are due to tampering, misuse, neglect, improper storage, and in any case where products are disassembled by anyone other than authorized Seller's representatives. EXCEPT FOR THE LIMITED WARRANTY OF REPAIR AND REPLACEMENT STATED ABOVE, SELLER DISCLAIMS ALL WARRANTIES WHATSOEVER WITH RESPECT TO THE PRODUCT, INCLUDING ALL IMPLIED WARRANTIES OF MERCHANTABILITY OR FITNESS FOR ANY PARTICULAR PURPOSE.

## LIMITATION OF SELLER'S LIABILITY

Seller's liability to Buyer for any loss or claim, including liability incurred in connection with (i) breach of any warranty whatsoever, expressed or implied, (ii) a breach of contract, (iii) a negligent act or acts (or negligent failure to act) committed by Seller, or (iv) an act for which strict liability will be imputed to seller, is limited to the "limited warranty" of repair and/or replacement as so stated in our warranty of product. In no event shall the Seller be liable for any special, indirect, consequential or other damages of a like general nature, including, without limitation, loss of profits or production, or loss or expenses of any nature incurred by the buyer or any third party.

*UE specifications subject to change without notice.*

## U.S. SALES OFFICES

United Electric Controls  
32 Highland Rd.  
South Hampton, NH 03827  
Phone: 603-394-0078  
FAX: 603-394-0175

United Electric Controls  
28 N. Wise Ave.  
Freeport, IL 61032  
Phone: 815-235-3501  
FAX: 815-235-3847

United Electric Controls  
1022 Vineyard Drive  
Conyers, GA 30013  
Phone: 770-483-8400  
FAX: 770-929-8716

United Electric Controls  
5829 Grazing Court  
Mason, OH 45040  
Phone: 513-398-3175  
FAX: 513-398-3076

United Electric Controls  
27 Summit Terrace  
Sparta, NJ 07871  
Phone: 973-271-2550  
FAX: 973-729-6099

United Electric Controls  
102 Salazar Court  
Clayton, CA 94517  
Phone: 925-524-0210  
FAX: 925-524-0210

United Electric Controls  
12630 Summerwood Glen  
Houston, TX 77041  
Phone: 832-243-0119  
Fax: 832-243-0140

## INTERNATIONAL OFFICES

AUSTRALIA  
United Electric Controls  
(Australia) PTY Ltd  
Unit 2, 615 Warrigal Road  
Locked Bag 600  
Ashburton, Victoria  
3147, Australia  
Phone: 613-9567-0750  
FAX: 613-9567-0755

BELGIUM  
United Electric Controls-Europe  
G. Van Gervenstraat 19A  
B-9120 Beveren-Waas, Belgium  
Phone: 32-37554-383  
FAX: 32-37552-747

CANADA  
United Electric Controls  
(Canada) Ltd  
5320 Bradco Boulevard  
Mississauga, Ontario  
L4W 1G7 Canada  
Phone: 905-625-5082  
FAX: 905-625-5709

GERMANY  
United Electric Controls  
An Der Zentlinde 21  
D-64711 Erbach, Germany  
Phone: 496-062-7400  
FAX: 496-062-7501

MALAYSIA  
United Electric Controls, Far East  
No. 1-2-2, 2nd Floor  
Jalan 4/101C  
Cheras Business Centre  
Batu 5, Jalan Cheras  
56100 Kuala Lumpur, Malaysia  
Phone: 603-9133-4122  
FAX: 603-9133-4155

RUSSIA  
United Electric Controls, Moscow  
Kastanaevskaya str., 32-1-43  
Moscow, 121108, Russia  
Phone: +7 (095) 792-88-06  
FAX: +7 (095) 146-57-58



UNITED ELECTRIC  
CONTROLS

180 Dexter Avenue, P.O. Box 9143  
Watertown, MA 02471-9143 USA  
Telephone: 617 926-1000 Fax: 617 926-2568  
<http://www.ueonline.com>

EMCO5000803